

LUMATEK
PROFESSIONAL LIGHTING

 **MANUAL**

ZEUS 465W PRO COMPACT

ENGLISH - FRENCH - ITALIAN - SPANISH - GERMAN - CZECH



LUMATEK ZEUS 465W PRO COMPACT LED MANUAL

ENGLISH

TABLE OF CONTENTS

1. **Introduction**
2. **Product Description**
3. **Product information and specifications**
 - 3.1 General product information
 - 3.2 Technical Specifications
 - 3.3 Fixture Dimensions
 - 3.4 Spectrum Graph
 - 3.5 Light distribution curve
 - 3.6 Environment
 - 3.7 Legal
4. **Safety recommendations and warnings**
5. **Contents**
6. **Installation**
 - 6.1 Assemble the frame
 - 6.2 Connect the driver
 - 6.3 Connect the LED light bars
 - 6.4 Replacing and changing light bars
 - 6.5 Installing the fixture
 - 6.6 Connecting the manual dimmer control
 - 6.7 Connecting fixtures in series for external control
 - 6.8 Connecting the LED fixture to the mains
7. **Precautions when using the LED fixture**
8. **Inspection, maintenance and repair**
9. **Storage and disposal**
10. **Warranty**

1. INTRODUCTION

Thank you for purchasing the Lumatek Zeus 465W Pro compact linear multi-light bar LED fixture. This manual describes how to install and use the Zeus Pro fixture; please read this manual thoroughly before attempting to install or operate any Lumatek Zeus Series system. If you are not comfortable with the installation of high performance lighting systems, you should seek the services of a qualified installation professional.

2. PRODUCT DESCRIPTION

The Lumatek Zeus 465W Pro compact LED is an electronic horticultural LED fixture using a linear array design with five LED light bars. The Zeus Pro is a very high performance full-cycle top lighting solution for commercial horticulture cultivation, with the power and flexibility to scale from vegetative growth to higher light intensities in bloom.

In this manual the Lumatek Zeus 465W Pro compact LED will be referred to as "the LED fixture".

3. PRODUCT INFORMATION AND SPECIFICATIONS

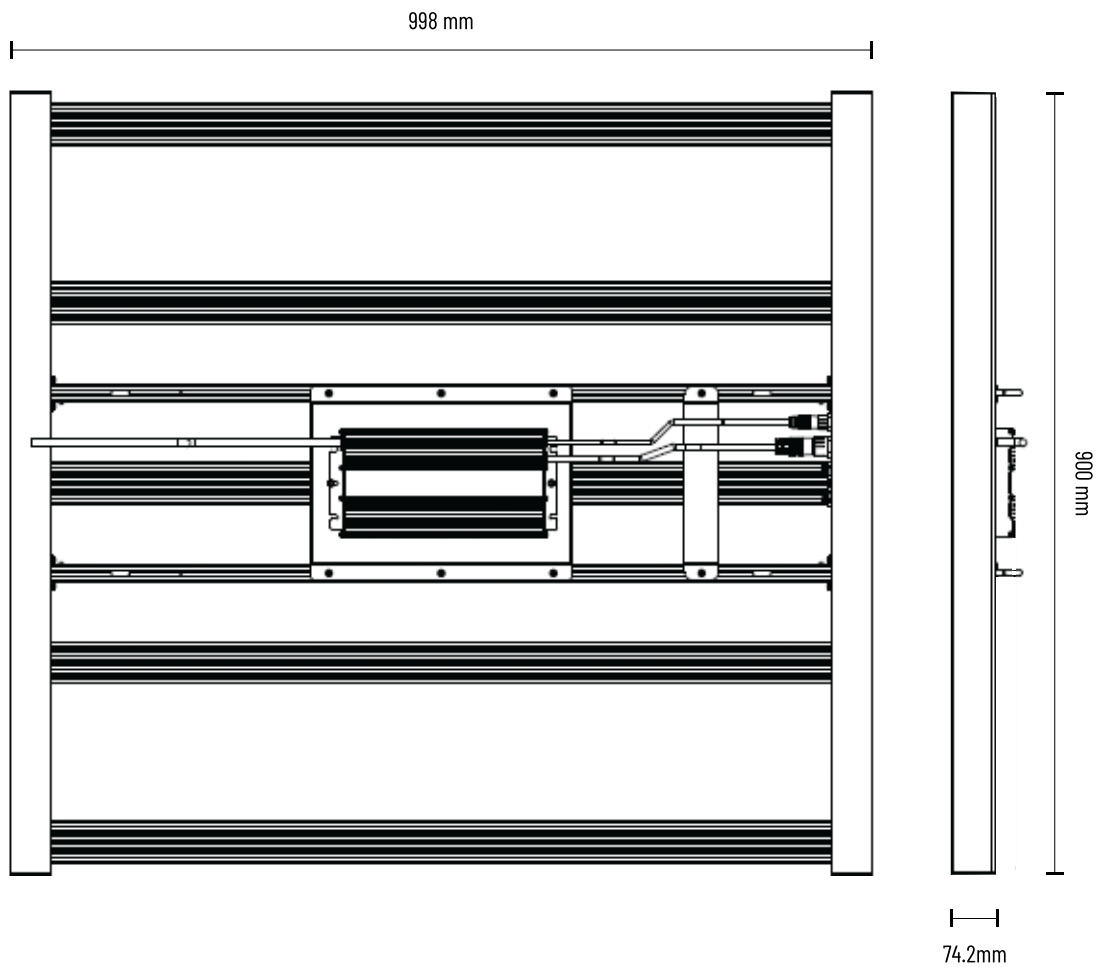
3.1 General Product Information

PRODUCT NAME	Lumatek Zeus 465W Pro Compact LED
PRODUCT CODE	LUMLED007P
PRODUCER	Lumatek EU
EAN	5060560030935
PLUG TYPE	UK/EU

3.2 Technical Specifications

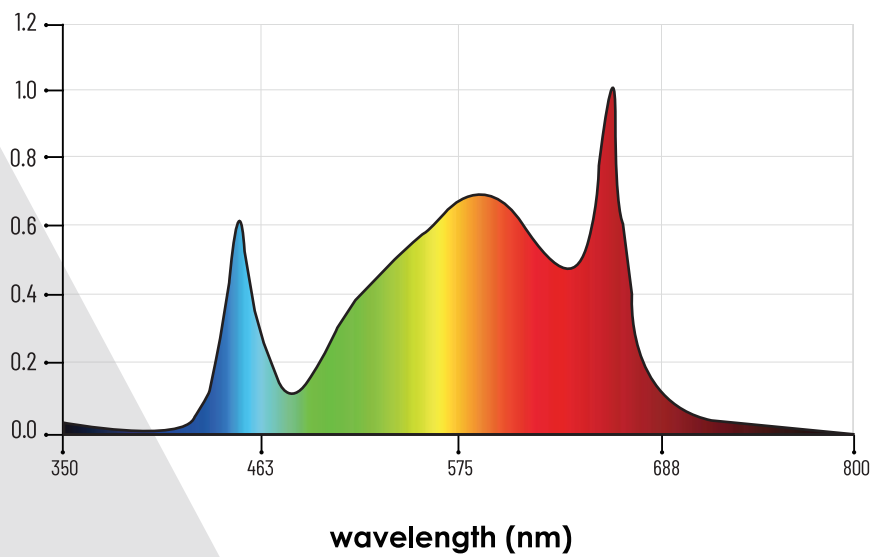
INPUT VOLTAGE	220 - 240V 50/60Hz AC
INPUT POWER	465W
INPUT CURRENT 230V , 100% o/p	2.0A (2.6A max)
POWER FACTOR	>0.95
PPF	1256 $\mu\text{mol/s}$
EFFICACY	2.7 $\mu\text{mol/J}$
SPECTRUM	Full spectrum F
LIGHT SOURCE	LUMATEK LUMLED (W) & Osram (R) LED
DIMENSIONS (LxWxH)	998 x 900 x 74.2mm
WEIGHT	11Kg
LIFE SPAN	>50000H
WORKING TEMPERATURE	-20° -- +40°C
WORKING HUMIDITY	20% - 90%
WATERPROOF	IP65
BEAM ANGLE	120°
MANUAL DIM/EXTERNAL LIGHTING CONTROLLER	0-10V analog protocol

3.3 Fixture Dimensions

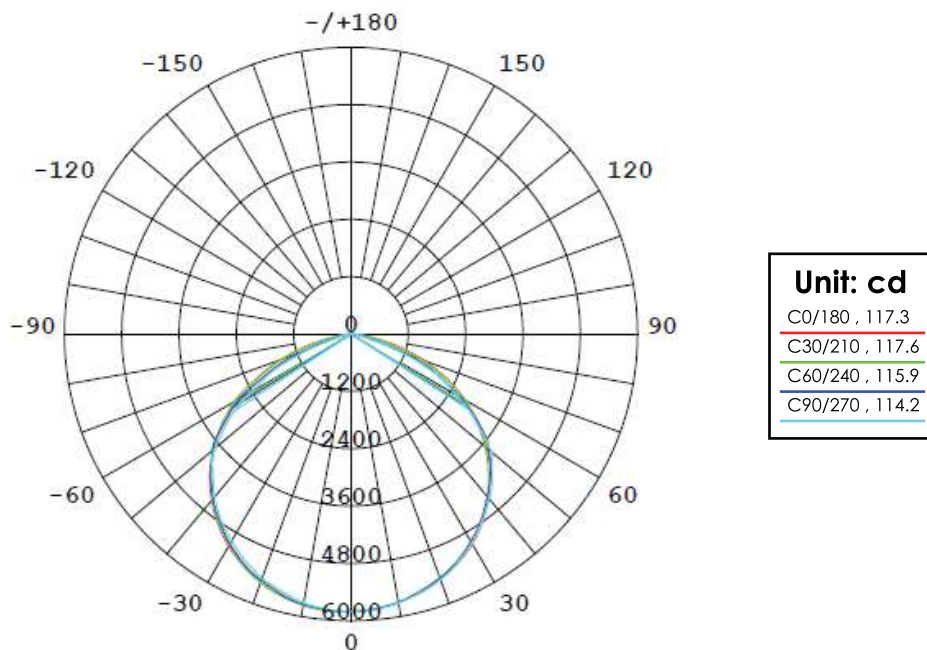


3.4 Spectrum Graph

Full Spectrum F



3.5 Light distribution curve



3.6 Environment

The LED fixture is intended to be used in climate-controlled grow rooms and indoor farms. The product may be used in damp environments but may not be used in wet environments or outdoors. The product will operate in ambient temperatures from -20°C to 40°C but will function at optimal level between 20°C to 30°C. The product will operate in 20% – 90% humidity, non-condensing.

3.7 Legal

This product is CE certified compliant with LVD and EMC directive test standards.

LVD;

EN 60598-1:2015+A1:2018
EN 60598-2-1:1989
EN 62031:2008+1:2013+A2:2015
EN 62493:2015
EN62471:2008

EMC;

EN 55015:2013+A1:2015
EN 61547:2009
EN 61000-3-2:2014
EN 61000-3-3:2013

4. SAFETY RECOMMENDATIONS AND WARNINGS

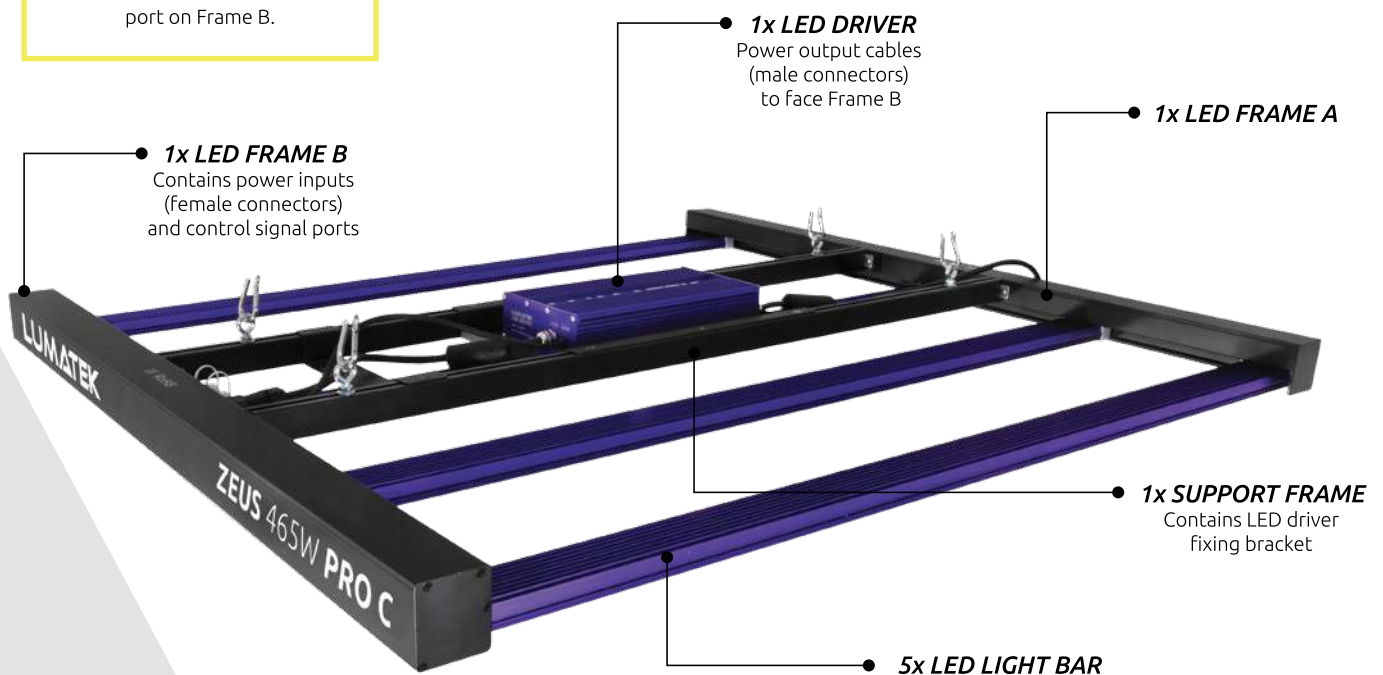
Warning! Carefully read the warnings below before using or working with the product!

- Always adhere to the local rules and regulations when installing or using the LED fixture.
- Do not open or disassemble the LED fixture as it contains no serviceable parts inside. Opening or modifying the LED fixture can be dangerous and will void the warranty.
- Do not use the LED fixture when either the LED fixture or its power cable are damaged. Replace the power cable with correctly rated cable only.
- Modifications to the cables can lead to unwanted electromagnetic effects which may make the product not comply with legal requirements.
- Do not expose the LED fixture to:
 - Condensing humidity, heavy mist or direct spray;
 - Ambient temperatures outside the specified range;
 - Dust and contamination;
 - Direct sunlight during use or HID light that may heat up the driver.

- Always disconnect the LED fixture from mains before performing any maintenance.
- Always allow for a cool down period of at least 20-30 minutes before touching the LED light bars. Touching the LED bars when the fixture is lit or immediately after may result in burns!
- Natural convection removes heat away from the heatsink. In order for the system too properly cool itself, at least 5cm of space is required between the fixture and the roof of your grow area. Do not use abrasive materials or aggressive cleaning agents to clean the LED fixture as this may damage the secondary optics. Instead use a clean dry fabric/cloth.
- Do not use the LED fixture near flammable, explosive or reactive substances. The LED fixture can reach temperatures of 40°C.
- Do not use sulphur vaporizers or water misters.
- The installation and use of the LED fixture is the responsibility of the end user. Incorrect use or installation can lead to failure and damage to the LED fixture. Damage to the LED fixture and electronic circuitry as a result of incorrect installation and use revokes the warranty.

5. CONTENTS

1x MANUAL
2x METAL CABLE HANGERS
**1x DIMMING
 CONTROLLER 0 -10V**
 Connects to SIGNAL IN
 port on Frame B.



6. INSTALLATION

Warning! Mounting and installing the LED fixture must be in accordance with the applicable local laws and regulations.

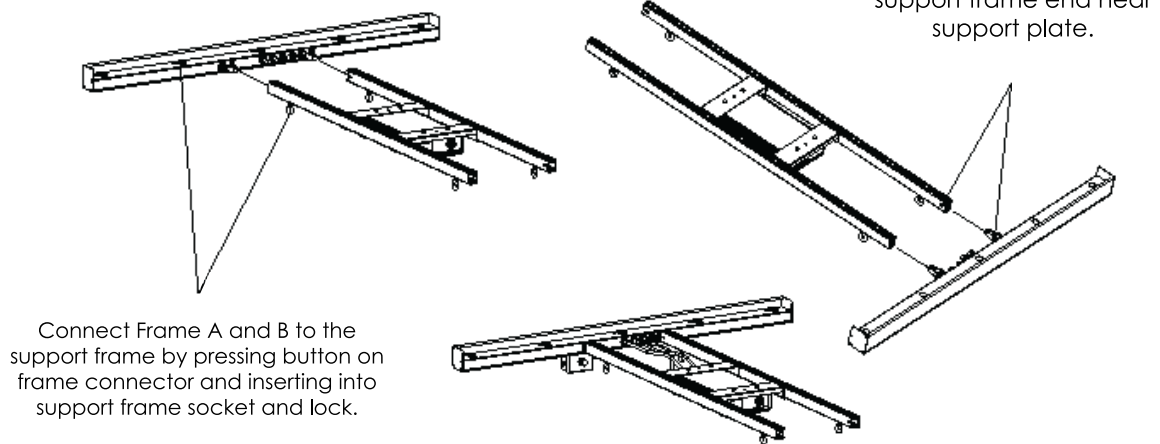
Warning! The installer is responsible for correct and safe installation.

Warning! Ensure the local cabling can support the voltage and current requirements of the LED fixture.

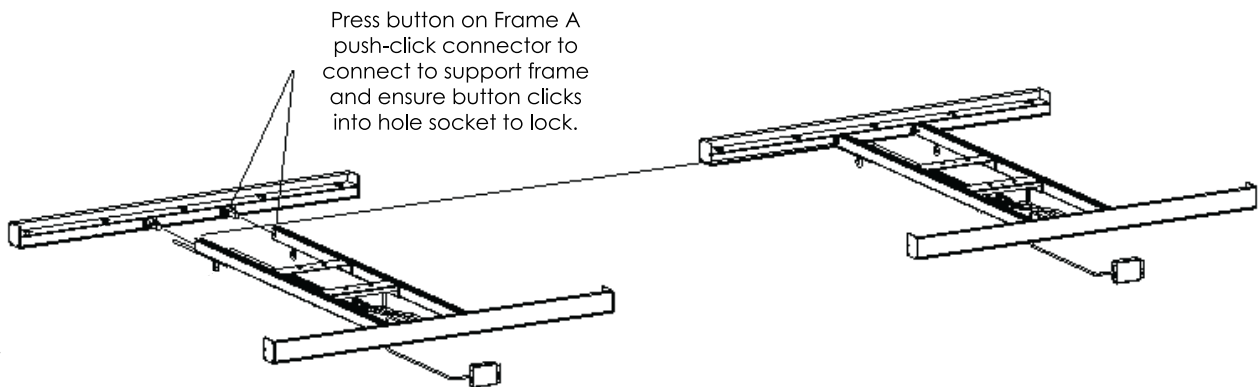
Warning! Avoid coiled cables and keep mains leads separated to help prevent electromagnetic interference.

Warning! Do not connect or disconnect the LED fixture under load.

6.1 Assemble the frame

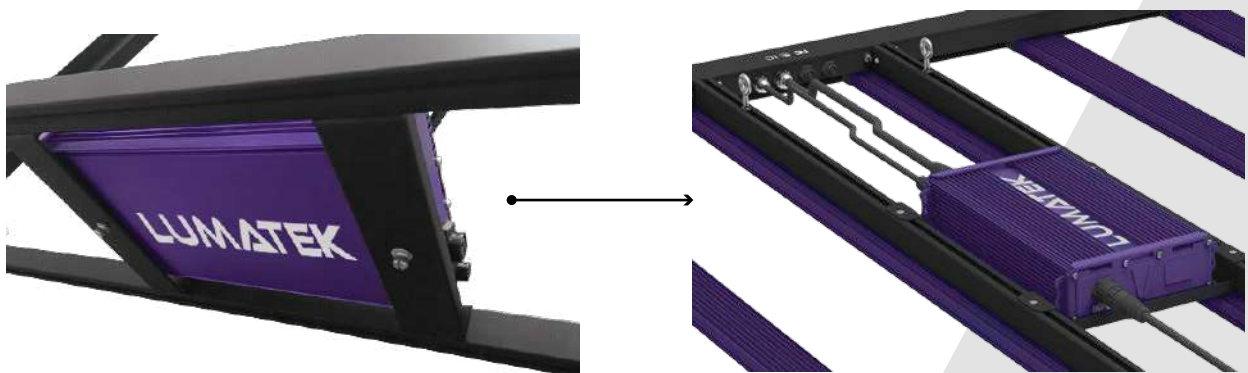


Note the direction when installing; the driver tray is on top when the fixture is hung. Press button on the frame push-click connector to connect and ensure button pops up in hole socket to lock.



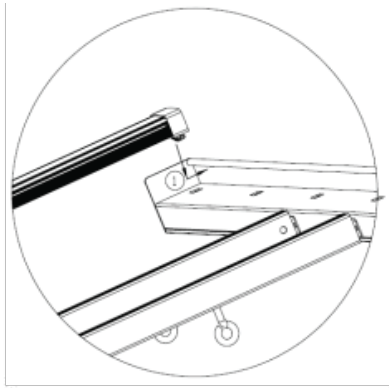
Note the direction when installing; the driver tray is on top when the fixture is hung.

6.2 Connect the driver

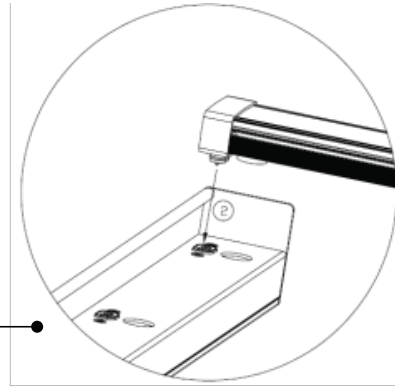


Note! Using Lumatek 5m LED driver extension cords (sold separately) The driver can be positioned remotely for greater flexibility.

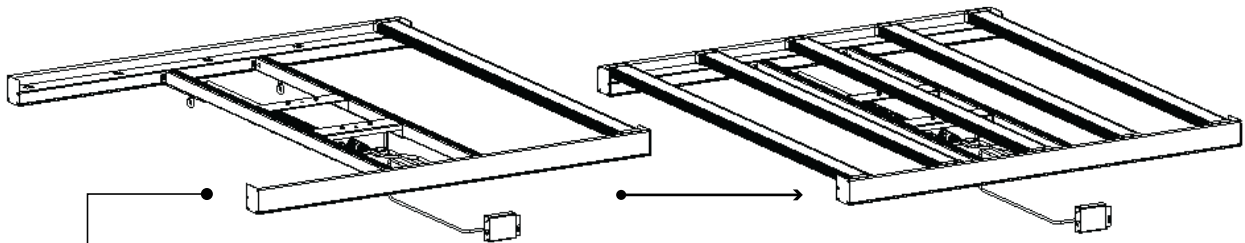
6.3 Connect the LED light bars



Ensure the driver is secured and flip the fixture over so the driver is now underneath. Insert the end of the light bar with the hook into the square hole in Frame A.



Then insert the other end; align the round hole on Frame B with the light bar's magnetic end and insert male pin into female socket. Ensure magnetic connection is secure.



Assemble the rest of the light bars into the fixture frame as shown in the figure above.

6.4 Replacing and changing light bars

Individual 93W light bars are available to purchase as replacements or with different spectral ratios to adjust fixture spectral output.

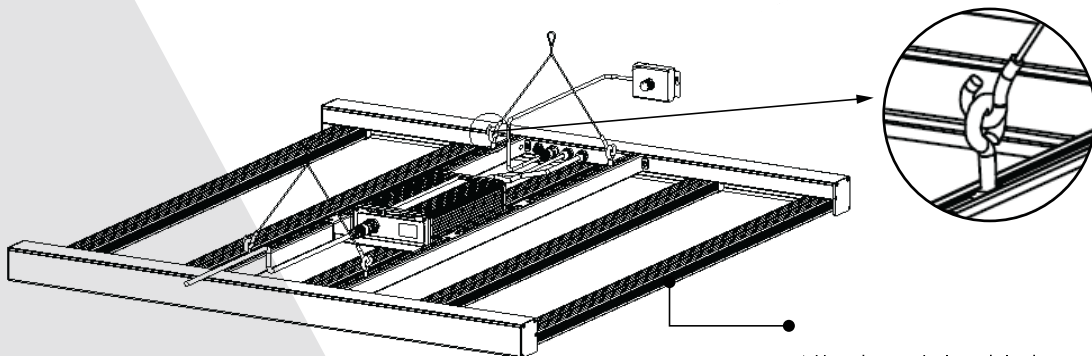
The Zeus Pro fixture's modular design has an intelligent LED driver which can autosense and decrease or increase power to match the amount of 93W light bars installed on the fixture.

Warning! At least one light bar must be installed in the fixture before switching on.

6.5 Installing the fixture

Warning! Mount the system to something that can hold the weight of the LED fixture.

Ensure all light bars are installed correctly and are secure. Carefully turn the fixture over and attach the metal cable hangers to the mounting hooks. Hang the fixture in required position and height. For optimal performance; position fixture 30 - 50cm above plant canopy.



Attach metal cable hangers to mounting hooks

6.6 Connecting the manual dimmer control

The dimmer control is connected to the Dimming IN connector on the fixture. This enables light intensity (PPF output) to be adjusted according to requirement. The LED fixture light intensity can be adjusted without changing spectral power distribution or losing efficiency.



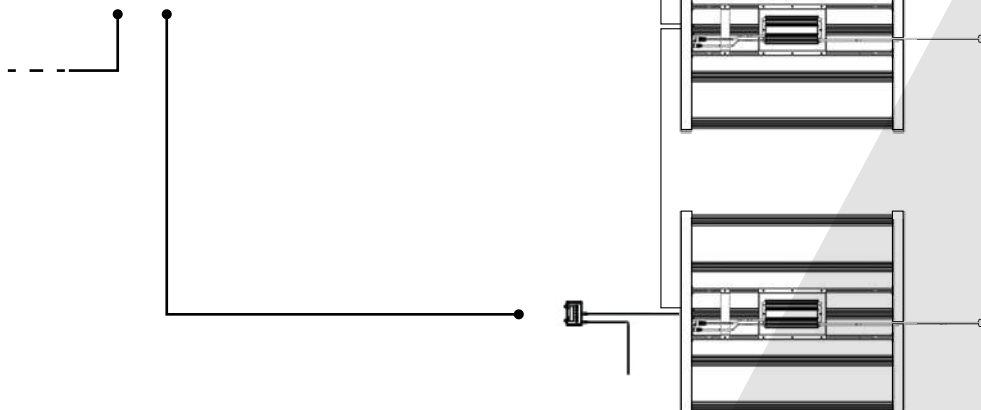
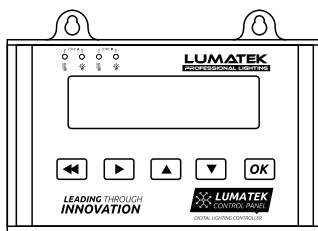
Connect manual dimmer or lighting controller signal cord to 'SIGNAL IN' connector.

6.7 Connecting fixtures in series for external control

For detailed instructions please refer to the Lumatek Control Panel manual.

Position and hang each fixture appropriately. Zeus series fixtures use 0-10V signal protocol for control.

- Connect controller output signal wire to fixture 1 SIGNAL IN connector. Connect signal wire from fixture 1 SIGNAL OUT connector to fixture 2 SIGNAL IN connector.
- Continue to connect fixtures in series for up to 100 fixtures per controller see Figure below.



6.8 Connecting the LED fixture to the mains

Warning! Make sure mains power is switched off.

Warning! Ensure the power supply cable is not coiled and does not touch any hot surfaces.

Warning! Connect the cables according to local rules, safety regulations and electrical code.

Warning! Ensure external switching gear can cope with the inrush current of the LED fixture. Always use a double pole contactor suitable for switching a capacitive load. Never use household timers to switch the LED fixture! Connect to switching gear/power supply. Switch on mains power.

Warning! Do not connect or disconnect the LED fixture under load.

7. PRECAUTIONS WHEN USING THE LED FIXTURE

Warning! Always ensure at least one light bar is connected to the fixture before switching on. The Zeus Pro has an intelligent LED driver which will increase or decrease power to match the amount of light bars connected to the system.

Warning! Always wait 20 – 30 minutes for the LED light bars to cool down.

8. INSPECTION, MAINTENANCE AND REPAIR

Warning! Disconnect the LED fixture from mains before performing any maintenance or repairs.

Warning! Do not connect or disconnect the LED fixture under load.

Warning! Do not open or disassemble the LED fixture, it contains no serviceable parts inside. Opening the LED fixture can be dangerous and will void the warranty.

Warning! Always wait 20 – 30 minutes for the LED light bars to cool down.

Caution! Do not clean the LED fixture with detergents, abrasives or other aggressive substances.

Regularly check the LED fixture for dust or dirt build up. Clean if necessary. Contamination may cause overheating and decreased performance.

Clean the outside of the LED fixture using a dry or damp cloth.

Regularly check the cables of the LED fixture to ensure it is undamaged.

9. STORAGE AND DISPOSAL

Store the LED fixture in a dry and clean environment, with an ambient temperature of -25°C to 55°C. The product must not be discarded as unsorted municipal waste but must be collected separately for the purpose of treatment, recovery and environmentally sound disposal.

10. WARRANTY

Lumatek Ltd warrants the mechanical and electronic components of their product to be free of defects in material and workmanship if used under normal operating conditions for a period of five (5) years from the original date of purchase. If the product shows any defects within this period and that defect is not due to user error or improper use Lumatek Ltd shall, at its discretion, either replace or repair the product using suitable new or reconditioned products or parts. In case Lumatek Ltd decides to replace the entire product, this limited warranty shall apply to the replacement product for the remaining initial warranty period, i.e. five (5) years from the date of purchase of the original product. For service; return the product to your shop with the original sales receipt.

LUMATEK
PROFESSIONAL LIGHTING



For more information on Lumatek products
visit www.lumatek-lighting.com

MANUAL ZEUS 465W PRO COMPACT LED DE LUMATEK

ESPAÑOL

TABLA DE CONTENIDO

1. **Introducción**
2. **Descripción del producto**
3. **Información del producto y especificaciones**
 - 3.1 Información general del producto
 - 3.2 Technical Specifications
 - 3.3 Dimensiones del accesorio
 - 3.4 Especificaciones técnicas
 - 3.5 Curva de distribución de luz
 - 3.6 Medio Ambiente
 - 3.7 Legal
4. **Recomendaciones de seguridad y advertencias**
5. **Contenido**
6. **Instalación**
 - 6.1 Ensamblar el marco
 - 6.2 Conectar el controlador
 - 6.3 Instalar el accesorio
 - 6.4 Conecte las barras de luz LED
 - 6.5 Sustitución y cambio de barras de luz
 - 6.6 Conexión del control de atenuación manual
 - 6.7 Dispositivos de conexión en serie para control externo
 - 6.8 Conexión de la luminaria LED a la red eléctrica
7. **Precauciones al usar el dispositivo LED**
8. **Inspección, mantenimiento y reparación**
9. **Almacenamiento y eliminación**
10. **Garantía**

1. INTRODUCCIÓN

Muchas gracias por comprar la luminaria LED de barra de luces múltiples lineal Zeus 465W Pro Compact de Lumatek. El presente manual describe cómo instalar y usar la luminaria Zeus Pro; por favor lea este manual detenidamente antes de intentar u operar cualquier sistema de la serie Zeus de Lumatek. Si usted no se siente cómodo con la instalación de sistemas de iluminación de alto rendimiento, por favor busque los servicios de un profesional de instalación calificado.

2. DESCRIPCIÓN DEL PRODUCTO

El Zeus 465W Pro Compact LED de Lumatek es un dispositivo LED electrónico para horticultura que utiliza un diseño de matriz lineal con cinco barras de luz LED. Zeus Pro es una solución de iluminación superior de ciclo completo de muy alto rendimiento para el cultivo de horticultura comercial, con el poder y la flexibilidad de escalar desde el crecimiento vegetativo hasta intensidades de luz más altas en floración. En este manual, el Zeus 465W Pro Compact LED de Lumatek se le denominará como: "el dispositivo LED".

3. INFORMACIÓN Y ESPECIFICACIONES DEL PRODUCTO

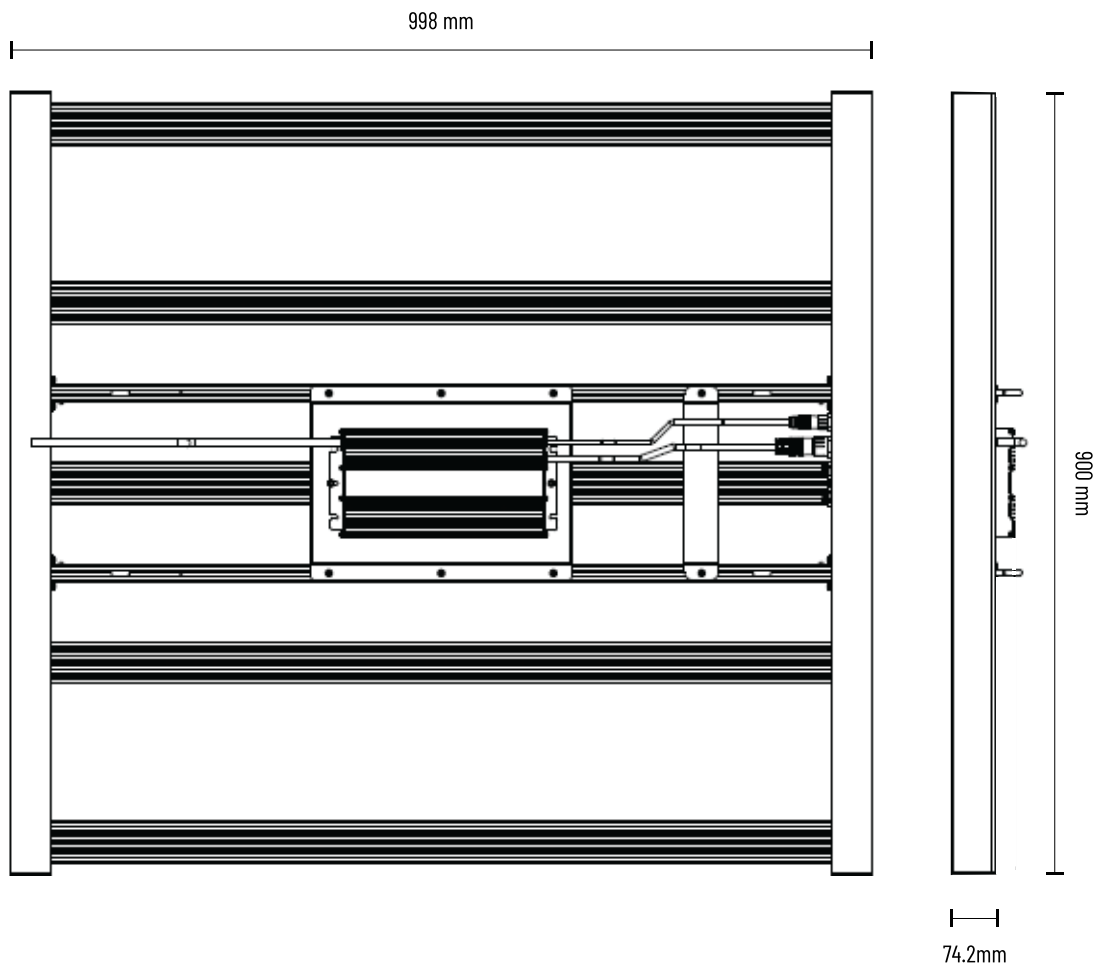
3.1 Información general del producto

NOMBRE DEL PRODUCTO	Lumatek Zeus 465W Pro Compact LED
NÚMERO DE PARTE	LUMLED007P
FABRICANTE	Lumatek EU
EAN	5060560030935
TIPO DE ENCHUFE	UK/EU

3.2 Especificaciones técnicas

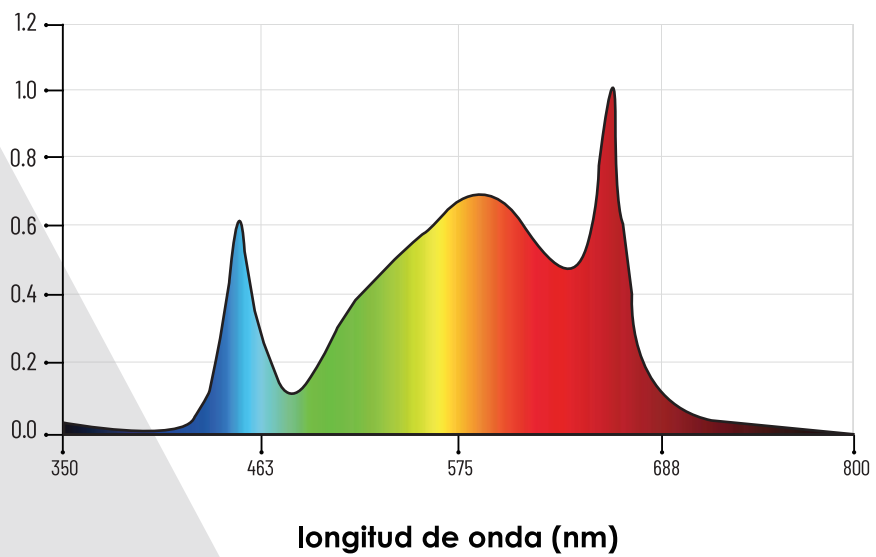
VOLTAJE DE ENTRADA	220 - 240V 50/60Hz AC
POTENCIA DE ENTRADA	465W
CORRIENTE DE ENTRADA 230V , 100% o/p	2.0A (2.6A max)
FACTOR DE POTENCIA	>0.95
PPF	1256 $\mu\text{mol/s}$
EFICACIA	2.7 $\mu\text{mol/J}$
SPECTRO	Espectro completo F
FUENTE DE LUZ	LUMATEK LUMLED (W) & Osram (R) LED
DIMENSIONES (LxWxH)	998 x 900 x 74.2mm
PESO	11Kg
ESPERANZA DE VIDA	>50000H
TEMPERATURA DE FUNCIONAMIENTO	-20° -- +40°C
HUMEDAD DE TRABAJO	20% - 90%
IMPERMEABLE / A PRUEBA DE POLVO	IP65
ÁNGULO DE HAZ	120°
ATENUADOR MANUAL / CONTROLADOR DE ILUMINACIÓN EXTERNA	Protocolo analógico 0-10V

3.3 Dimensiones del accesorio

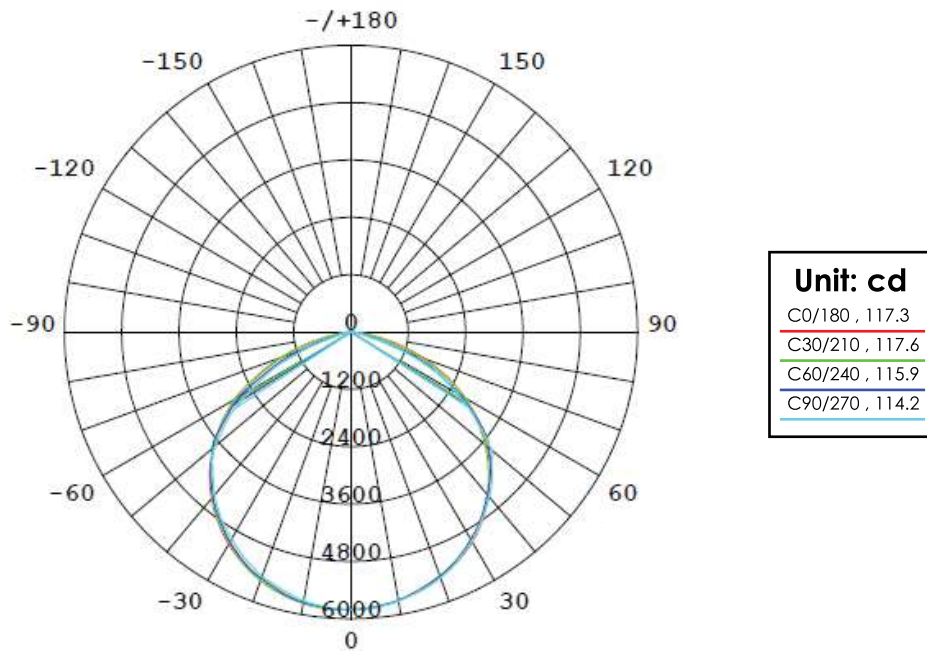


3.4 Espectros

Espectro Completo F



3.5 Curva de distribución de luz



3.6 Medio ambiente

El dispositivo LED está diseñado para usarse en salas de cultivo con clima controlado y granjas interiores. El producto puede usarse en ambientes húmedos, pero no en ambientes mojados o al aire libre.

El producto funcionará a temperaturas ambiente de -20°C a 40°C, pero funcionará a un nivel óptimo entre 20°C y 30°C.

El producto funcionará en 20% - 90% de humedad, sin condensación.

3.7 Legal

Este producto cuenta con la certificación CE y cumple con los estándares de prueba de directivas LVD y EMC.

LVD;

EN 60598-1:2015+A1:2018
EN 60598-2-1:1989
EN 62031:2008+1:2013+A2:2015
EN 62493:2015
EN62471:2008

EMC;

EN 55015:2013+A1:2015
EN 61547:2009
EN 61000-3-2:2014
EN 61000-3-3:2013

4. RECOMENDACIONES DE SEGURIDAD Y ADVERTENCIAS

¡Advertencia! ¡Por favor lea atentamente las siguientes advertencias antes de usar o trabajar con el producto!

- Siempre siga las reglas y regulaciones locales al instalar o usar la luminaria LED.
- No abra ni desmonte la luminaria LED, ya que no contiene piezas reparables en su interior. El abrir o modificar la luminaria LED puede ser peligroso y anulará la garantía.
- No utilice el la luminaria LED cuando la luminaria LED o su cable de alimentación estén dañados. Reemplace el cable de alimentación solo con un cable con clasificación correcta.
- Las modificaciones en los cables puede dar lugar a efectos electromagnéticos no deseados, lo que hace que el producto no cumpla con los requisitos legales.
- No exponga el dispositivo LED a:
Humedad condensada, neblina intensa, neblina o rociado directo;
Temperaturas ambiente fuera del rango especificado;
Polvo y contaminación;
Luz solar directa durante el uso o luz HID que podría calentar el balasto.

- Siempre desconecte el dispositivo de la red eléctrica antes de realizar cualquier mantenimiento.
- Siempre permita un período de enfriamiento de al menos 20-30 minutos antes de tocar las barras de luz LED. ¡El tocar las barras LED cuando el dispositivo está encendido o inmediatamente después puede provocar quemaduras!
- La convección natural elimina el calor del disipador térmico. Para que el sistema pueda enfriarse bien, se requiere al menos 5 cm de espacio entre la luminaria y el techo de su área de cultivo.
- Por favor no utilice materiales abrasivos o agentes de limpieza agresivos para limpiar la luminaria LED, ya que esto puede dañar la óptica secundaria. En su lugar, use una tela limpia y seca.
- No utilice el dispositivo cerca de sustancias inflamables, explosivas o reactivas. La luminaria LED puede alcanzar temperaturas de 40°C.
- No use vaporizadores de azufre o agua pulverizada.
- La instalación y el uso del dispositivo son responsabilidad del usuario final. El uso o una instalación incorrecta pueden provocar fallas y daños en la luminaria LED. El daño a la luminaria LED y a los circuitos electrónicos como resultado de una instalación y uso incorrecto revocará la garantía.

5. CONTENIDO

1x MANUAL

2x PERCHAS DE METAL

1x REGULADOR DE ATENUACIÓN 0 -10V

Se conecta a SIGNAL IN puerto en el marco B.

1x CONTROLADOR LED

Cables de salida de potencia (conectores macho) hacia el Marco B

1x MARCO LED B

Contiene entradas de alimentación (conectores hembra) y puertos de señal de control.

1x MARCO LED A.

1x CUADRO DE SOPORTE

Contiene soporte de fijación del controlador LED

5x BARRA DE LUZ LED



6. INSTALACIÓN

¡Advertencia! El montaje e instalación de la luminaria LED debe realizarse de acuerdo con las leyes y regulaciones locales aplicables.

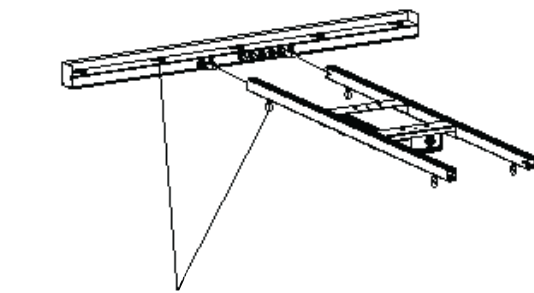
¡Advertencia! El instalador tiene la responsabilidad de una instalación correcta y segura.

¡Advertencia! Por favor asegúrese que el cableado local pueda soportar los requisitos de voltaje y corriente del dispositivo.

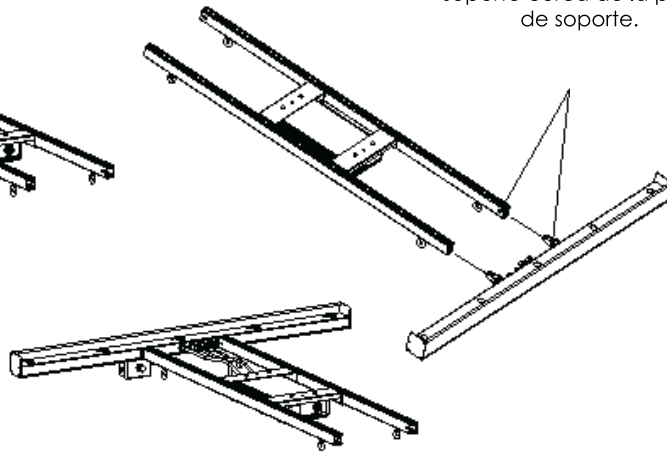
¡Advertencia! Evite los cables en espiral y mantenga los cables de alimentación separados para ayudar a evitar interferencias electromagnéticas.

¡Advertencia! No conecte ni desconecte el dispositivo LED bajo carga.

6.1 Ensamblar el marco

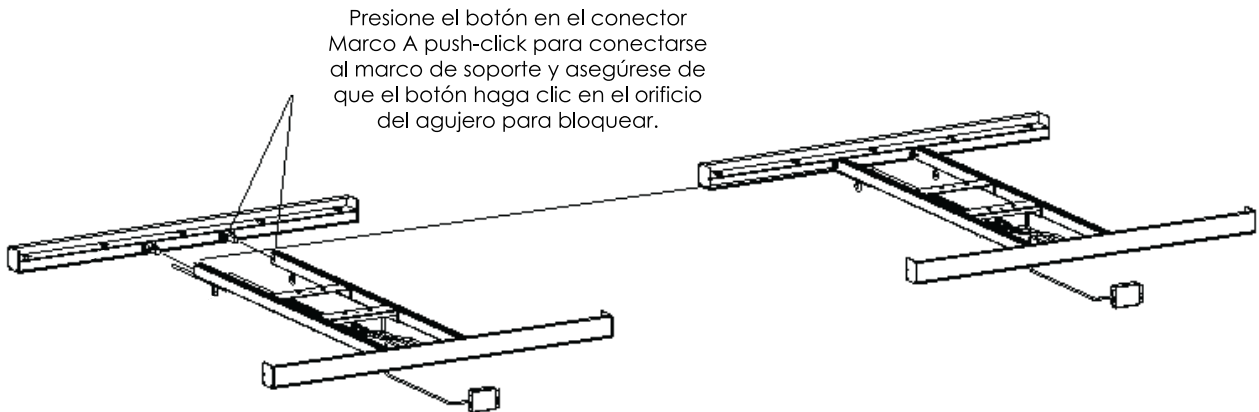


Conecte el Marco A y B al marco de soporte presionando el botón en el conector del marco e insertándolo en el zócalo y bloqueo del marco de soporte.



Conecte el Marco B al extremo del marco de soporte cerca de la placa de soporte.

Tenga en cuenta la dirección al instalar; la bandeja del controlador está en la parte superior cuando la luminaria se encuentra colgada. Presione el botón en el conector push-click del marco para conectar y asegúrese que el botón se abra en el orificio para bloquear.



Presione el botón en el conector Marco A push-click para conectarse al marco de soporte y asegúrese de que el botón haga clic en el orificio del agujero para bloquear.

Tenga en cuenta la dirección al instalar; la bandeja del controlador está en la parte superior cuando la luminaria se encuentra colgada.

6.2 Conectar el controlador



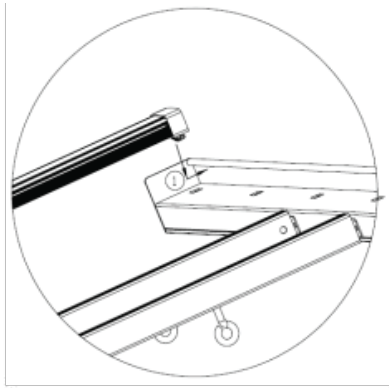
Coloque el controlador LED en el soporte de montaje y fíjelo con tornillos de retención a través del soporte en la placa base.



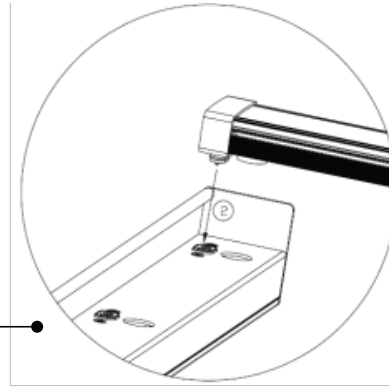
Conecte las salidas del controlador a los cables del conector de entrada en el Marco B.

Nota! Uso de cables de extensión de controlador LED Lumatek de 5 m (se venden por separado) El controlador se puede colocar de forma remota para una mayor flexibilidad.

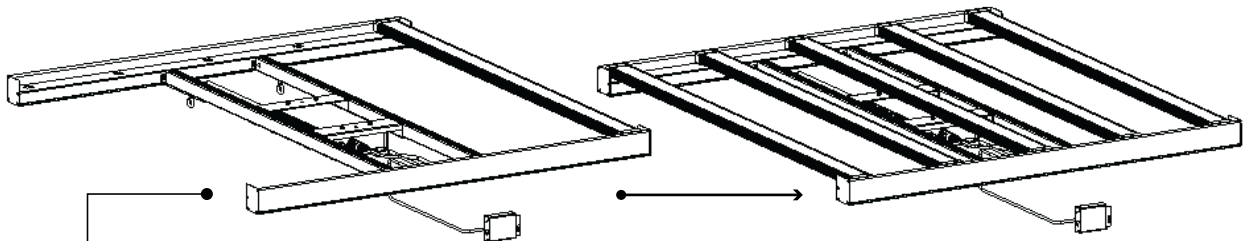
6.3 Conecte las barras de luz LED



Asegúrese que el controlador esté asegurado y voltee el dispositivo para que el controlador esté debajo. Inserte el extremo de la barra de luz con el gancho en el orificio cuadrado en el Marco A.



inserte el otro extremo; alinee el orificio redondo en el Marco B con el extremo magnético de la barra de luz e inserte el pin macho en el enchufe hembra. Asegúrese que la conexión magnética sea segura.



Ensamble el resto de las barras de luz en el marco del accesorio tal como se muestra en la Figura arriba.

6.4 Sustitución y cambio de barras de luz

Las barras de luz individuales de 93W están disponibles para ser compradas como reemplazos o con diferentes relaciones espectrales para ajustar la salida espectral del dispositivo.

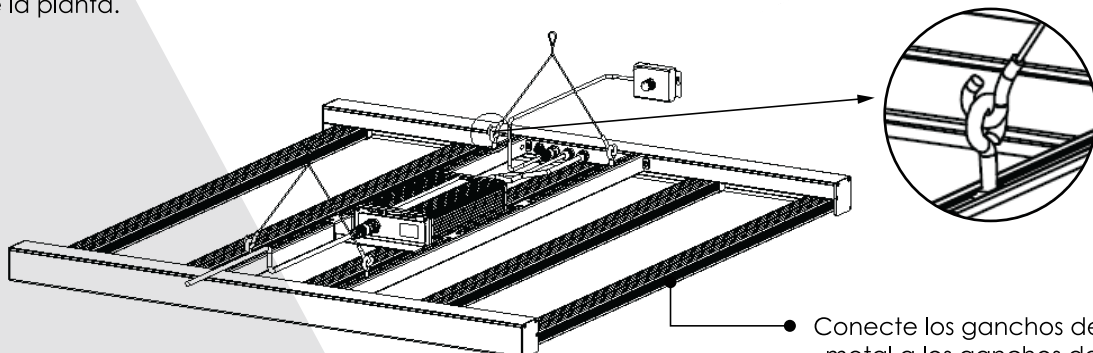
El diseño modular del accesorio Zeus Pro tiene un controlador LED inteligente que puede detectar automáticamente y disminuir o aumentar la potencia para igualar la cantidad de barras de luz de 93W instaladas en el accesorio.

¡Advertencia! Se debe instalar al menos una barra de luz en el dispositivo antes de encenderlo.

6.5 Instalación de la luminaria

¡Advertencia! Monte el sistema en algo que pueda soportar el peso de la luminaria LED.

Asegúrese que todas las barras de luz estén instaladas correctamente y sean seguras. Con cuidado, gire el dispositivo y conecte los ganchos de cable de metal a los ganchos de montaje. Cuelgue el dispositivo en la posición y altura requeridas. Para un rendimiento óptimo; coloque el dispositivo a 30 - 50 cm por encima del dosel de la planta.



Conecte los ganchos de cable de metal a los ganchos de montaje

6.6 Conexión del control de atenuación manual

El control del atenuador está conectado al conector Dimming IN del dispositivo. Esto permite ajustar la intensidad de luz (salida PPF) de acuerdo con los requisitos. La intensidad de luz del accesorio LED puede ajustarse sin cambiar la distribución de potencia espectral o perder eficiencia.



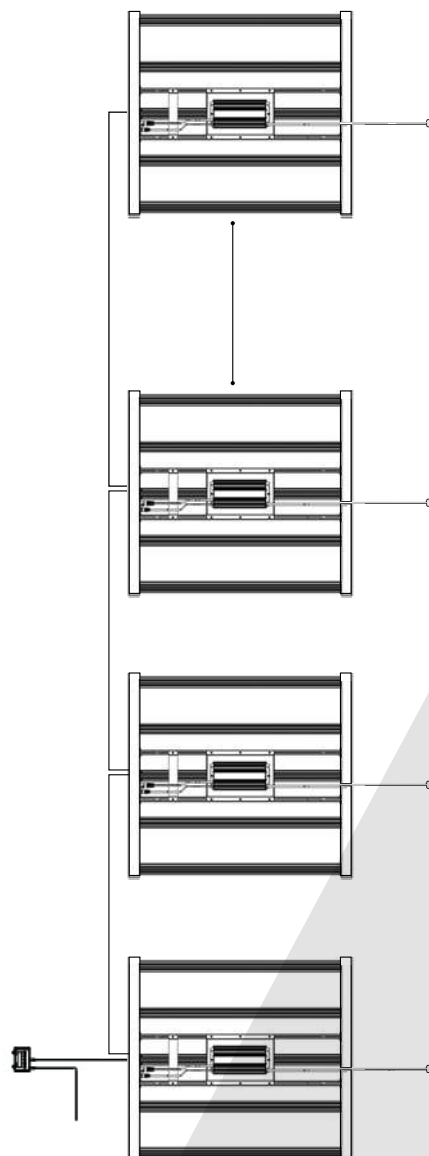
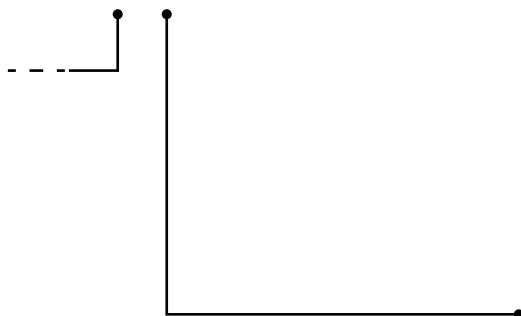
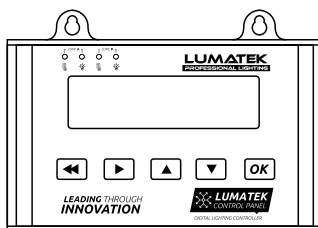
- Conecte el atenuador manual o el cable de señal del controlador de iluminación al conector "SIGNAL IN".

6.7 Conexión de luminarias en serie para control externo

Para obtener instrucciones detalladas, por favor consulte el manual del panel de control de Lumatek.

Coloque y cuelgue cada accesorio adecuadamente. Los dispositivos de la serie Zeus utilizan el protocolo de señal 0-10V para el control.

- Conecte el cable de señal de salida del controlador al dispositivo 1 SEÑAL en el conector. Conecte el cable de señal del conector del dispositivo 1 SIGNAL OUT al conector del dispositivo 2 SIGNAL IN.
- Continúe conectando dispositivos en serie para hasta 100 dispositivos por controlador, consulte la Figura a continuación.



6.8 Conexión de la luminaria LED a la red eléctrica

¡Advertencia! Por favor asegúrese que la red eléctrica esté apagada.

¡Advertencia! Asegúrese que el cable de alimentación no esté enrollado y que no toque ninguna superficie caliente.

¡Advertencia! Conecte los cables de acuerdo con las normas locales, las normas de seguridad y el código eléctrico.

¡Advertencia! Asegúrese que el equipo de conmutación externo pueda hacer frente a la corriente de entrada de la luminaria LED. Utilice siempre un contactor de doble polo adecuado para cambiar una carga capacitiva. ¡Nunca use temporizadores domésticos para cambiar el dispositivo LED!

Conéctese al equipo de conmutación / alimentación Encienda la alimentación de red.

¡Advertencia! No conecte ni desconecte el dispositivo LED bajo carga.

7. PRECAUCIONES AL USAR EL DISPOSITIVO LED

¡Advertencia! Asegúrese siempre que al menos una barra de luz esté conectada al dispositivo antes de encenderla. El Zeus Pro cuenta con un controlador LED inteligente que aumentará o disminuirá la potencia para que coincida con la cantidad de barras de luz conectadas al sistema.

¡Advertencia! Siempre espere de 20 a 30 minutos para que las barras de luz LED se enfríen.

8. INSPECCIÓN, MANTENIMIENTO Y REPARACIÓN

¡Advertencia! Siempre desconecte el dispositivo de la red eléctrica antes de realizar cualquier mantenimiento.

¡Advertencia! No conecte ni desconecte el dispositivo LED bajo carga.

¡Advertencia! No abra ni desmonte la luminaria LED, ya que no contiene piezas reparables en su interior. El abrir o modificar la luminaria LED puede ser peligroso y anulará la garantía.

¡Advertencia! Siempre espere de 20 a 30 minutos para que las barras de luz LED se enfríen.

¡Precaución! No limpie el dispositivo con detergentes, abrasivos u otras sustancias agresivas.

Revise regularmente el dispositivo para detectar la presencia de polvo o suciedad acumulada. Límpielo de ser necesario. La contaminación puede causar sobrecalentamiento y disminución del rendimiento. Limpie el exterior de la lámpara LED con un paño seco o húmedo.

Compruebe regularmente el cableado del producto para asegurarse que no esté dañado.

9. ALMACENAMIENTO Y ELIMINACIÓN

Almacene la luminaria en un ambiente seco y limpio, con una temperatura ambiente de -25°C a 55°C. No deseche el producto como residuo municipal sin antes clasificarlo, ya que debe recogerse por separado con fines de tratamiento, recuperación y eliminación ambientalmente racional.

10. GARANTÍA

Lumatek Ltd garantiza que los componentes mecánicos y electrónicos de su producto se encuentran libres de defectos de material y mano de obra si se utilizan en condiciones normales de funcionamiento durante un período de tres (3) años a partir de la fecha original de compra. Si el producto muestra algún defecto dentro de este período y el defecto no se debe a un error del usuario o uso indebido, Lumatek deberá, a su discreción, reemplazar o reparar el producto con productos o piezas nuevas o reacondicionadas. En caso de que Lumatek decida reemplazar el producto completo, esta garantía limitada se aplicará al producto de reemplazo por el período de garantía inicial restante, es decir, tres (3) años a partir de la fecha de compra del producto original. Para ser atendido, devuelva el accesorio a su tienda con el recibo de compra original.

LUMATEK
PROFESSIONAL LIGHTING



Para más información sobre los productos Lumatek visitar www.lumatek-lighting.com

LUMATEK ZEUS 465W PRO COMPACT GEBRAUCHSANWEISUNG

DEUTSCH

INHALTSVERZEICHNISS

1. **Einführung**
2. **Produktbeschreibung**
3. **Produktinformationen und Spezifikationen**
 - 3.1 Allgemeine Produktinformationen
 - 3.2 Technical Specifications
 - 3.2 Vorrichtungsmaße
 - 3.3 Technische Spezifikationen
 - 3.4 Light distribution curve
 - 3.5 Lichtverteilungskurve
 - 3.6 Rechtliches
4. **Sicherheitsempfehlungen und Warnungen**
5. **Contents**
6. **Instalation**
 - 6.1 Montieren Sie den Rahmen
 - 6.2 Schließen Sie den Treiber an
 - 6.3 Schließen Sie die LED-Lichtleisten an
 - 6.4 Lichtleisten ersetzen und wechseln
 - 6.5 Installation der Leuchte
 - 6.6 Anschließen der manuellen Dimmersteuerung
 - 6.7 Reihenschaltung von Geräten zur externen Steuerung
 - 6.8 Anschließen der LED-Leuchte an das Stromnetz
7. **Vorsichtsmaßnahmen bei der Verwendung der LED-Leuchte**
8. **Inspektion, Wartung und Reparatur**
9. **Storage and disposal**
10. **Lagerung und Entsorgung**

1. EINLEITUNG

Vielen Dank, dass Sie sich für die lineare Multi-Light Bar LED-Lampe Lumatek Zeus 465W Pro Compact entschieden haben. Dieses Handbuch beschreibt die Installation und Verwendung des Zeus Pro-Geräts; bitte lesen Sie sich dieses Handbuch sorgfältig durch, bevor Sie versuchen, ein System der Lumatek Zeus-Serie zu installieren oder zu betreiben. Wenn Sie mit der Installation von leistungsstarken Beleuchtungssystemen nicht vertraut sind, sollten Sie die Dienste eines qualifizierten Installationsprofis in Anspruch nehmen.

2. PRODUKTBESCHREIBUNG

Die Lumatek Zeus 465W Pro Compact LED ist eine elektronische Gartenbau-LED-Leuchte im linearen Array-Design mit fünf LED-Lichtbalken. Die Zeus Pro ist eine sehr leistungsstarke, vollzyklische Top-Beleuchtungslösung für den kommerziellen Gartenbau, mit der Kraft und Flexibilität, vom vegetativen Wachstum bis hin zu höheren Lichtintensitäten in der Blüte zu skalieren. In diesem Handbuch wird die Lumatek Zeus 465W Pro Compact LED als "die LED-Leuchte" bezeichnet.

3. PRODUKTINFORMATIONEN UND -SPEZIFIKATIONEN

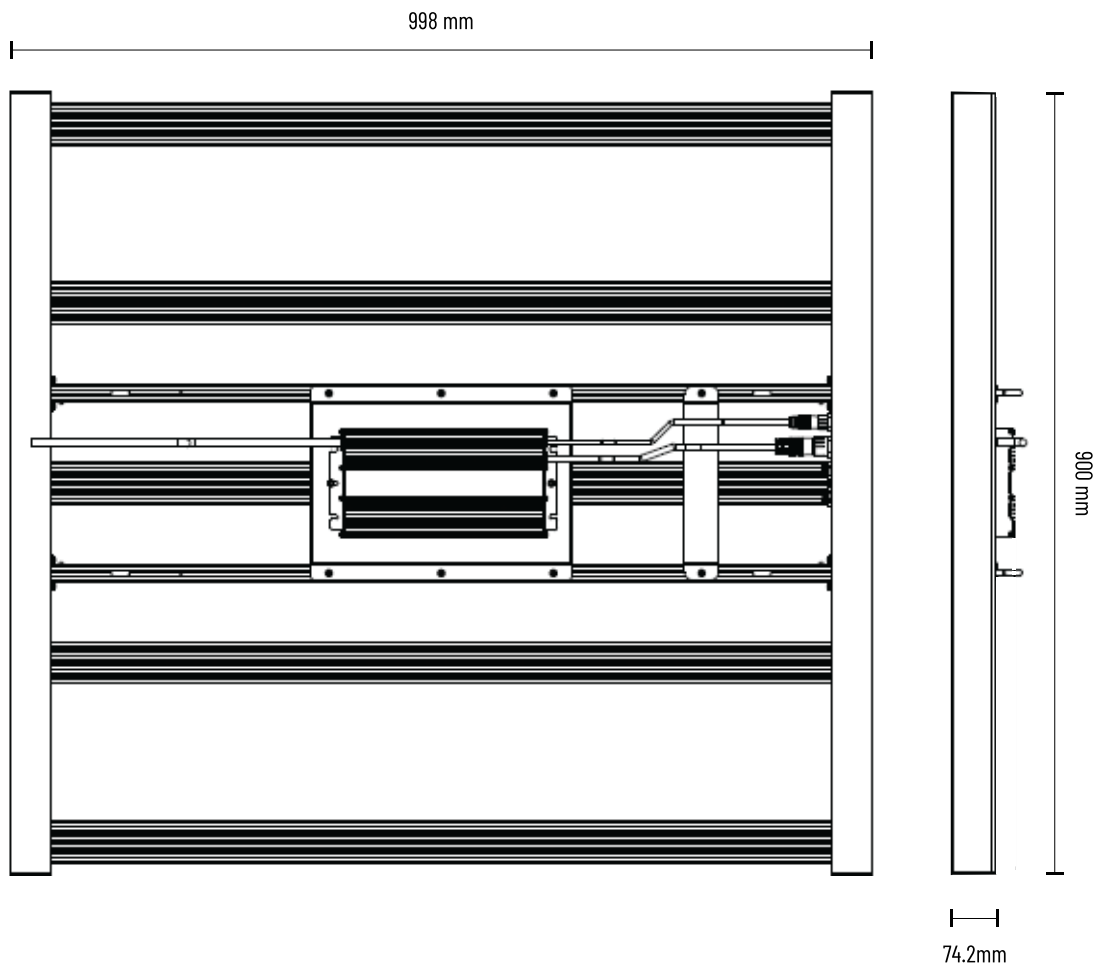
3.1 Allgemeine Produktinformationen

PRODUKTNAME	Lumatek Zeus 465W Pro Compact LED
TEILENUMMER	LUMLED007P
HERSTELLER	Lumatek EU
EAN	5060560030935
STECKERTYP	UK/EU

3.2 Technische Spezifikationen

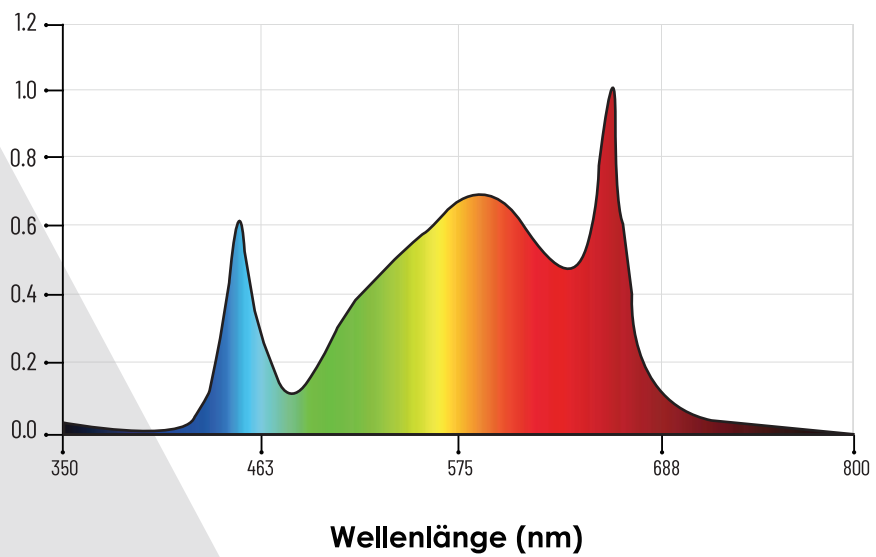
EINGANGSSPANNUNG	220 - 240V 50/60Hz AC
EINGANGSLEISTUNG	465W
EINGANGSSTROM BEI 230V , 100% o/p	2.0A (2.6A max)
LEISTUNGSFAKTOR	>0.95
PPF	1256 µmol/s
WIRKSAMKEIT	2.7 µmol/J
SPEKTRUM	Vollspektrum F
LICHTQUELLE	LUMATEK LUMLED (W) & Osram (R) LED
DIMENSIONEN (LxWxH)	998 x 900 x 74.2mm
GEWICHT	11Kg
LEBENSDAUER	>50000H
BETRIEBSTEMPERATUR	-20° -- +40°C
BETRIEBSFEUCHTIGKEIT	20% - 90%
WASSERDICHT / STAUBDICHT	IP65
ABSTRAHLWINKEL	120°
MANUELLES DIMMEN/EXTERNE BELEUCHTUNGSSTEUERUNG	0-10V Analog-Protokoll

3.3 Vorrichtungmaße

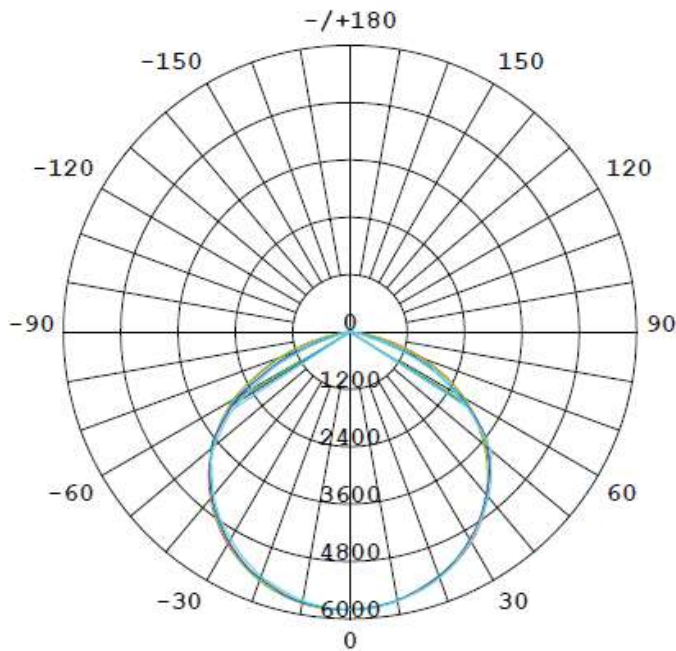


3.4 Spektren

Vollspektrum F



3.5 Lichtverteilungskurve



Unit: cd
C0/180 , 117.3
C30/210 , 117.6
C60/240 , 115.9
C90/270 , 114.2

3.6 Umgebung

Die LED-Leuchte ist für den Einsatz in klimatisierten Anbau­räumen und Innenbetrieben vorgesehen. Das Produkt kann in feuchten Umgebungen verwendet werden, darf aber nicht in nassen Umgebungen oder im Freien verwendet werden.

Das Produkt wird bei Umgebungstemperaturen von -20°C bis 40°C betrieben, funktioniert aber optimal zwischen 20°C und 30°C.

Das Produkt wird bei 20% - 90% Luftfeuchtigkeit betrieben, nicht kondensierend.

3.7 Rechtliches

Dieses Produkt ist CE-zertifiziert und entspricht den Prüfnormen der LVD- und EMV-Richtlinien.

LVD;

- EN 60598-1:2015+A1:2018
- EN 60598-2-1:1989
- EN 62031:2008+1:2013+A2:2015
- EN 62493:2015
- EN62471:2008

EMC;

- EN 55015:2013+A1:2015
- EN 61547:2009
- EN 61000-3-2:2014
- EN 61000-3-3:2013

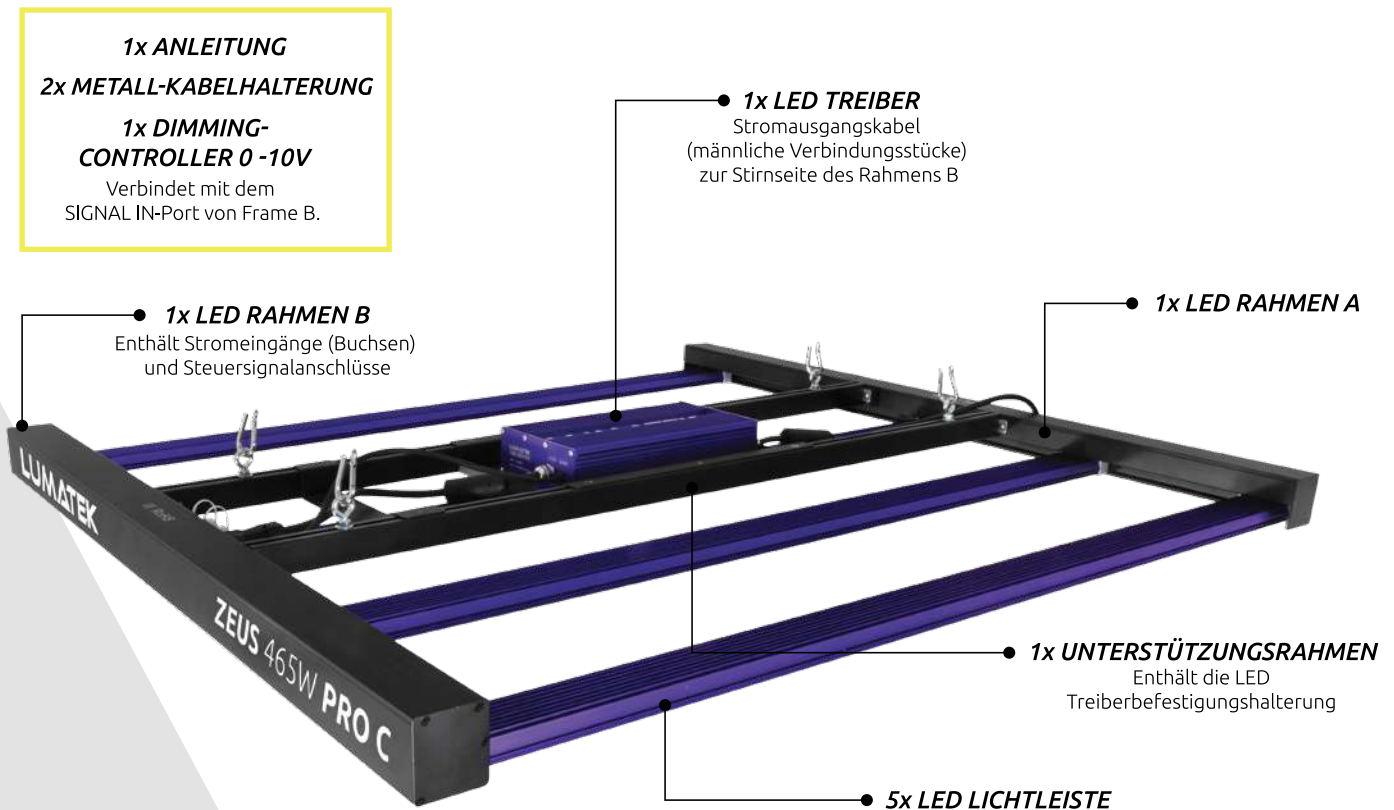
4. SICHERHEITSEMPFEHLUNGEN UND WARNHINWEISE

Warnung! Lesen Sie die folgenden Warnhinweise sorgfältig durch, bevor Sie das Produkt verwenden oder mit ihm arbeiten!

- Beachten Sie bei der Installation oder Verwendung der LED-Leuchte immer die örtlichen Bestimmungen und Vorschriften.
- Öffnen oder demontieren Sie die LED-Leuchte keinesfalls, da sie keine wartungsfähigen Teile im Inneren enthält. Das Öffnen oder Modifizieren des LED-Leuchtmittels kann gefährlich sein und führt zum Erlöschen der Garantie.
- Verwenden Sie die LED-Leuchte nicht, wenn entweder die LED-Leuchte oder das Netzkabel beschädigt sind. Ersetzen Sie das Netzkabel nur durch ein korrekt dimensioniertes Kabel.
- Änderungen an den Kabeln können zu unerwünschten elektromagnetischen Einflüssen führen, die dazu führen können, dass das Produkt nicht den gesetzlichen Anforderungen entspricht.
- Setzen Sie das LED-Gerät keinem der Folgenden aus:

- Kondensierende Feuchtigkeit, starker Nebel oder Sprühregen;
- Umgebungstemperaturen außerhalb des angegebenen Bereichs;
- Staub und Verunreinigungen;
- Direktes Sonnenlicht während des Gebrauchs oder HID-Licht, das den Treiber erhitzen kann. Trennen Sie das LED-Gerät immer vom Stromnetz, bevor Sie Wartungsarbeiten durchführen. Halten Sie immer eine Abkühlzeit von mindestens 20-30 Minuten ein, bevor Sie die LED-Lichtleisten berühren. Berühren der LED-Leisten, wenn das Gerät leuchtet oder unmittelbar danach, kann zu Verbrennungen führen!
- Natürliche Konvektion entzieht dem Kühlkörper Wärme. Damit sich das System auch selbst richtig abkühlt, ist ein Abstand von mindestens 5 cm zwischen der Leuchte und dem Dach Ihrer Anbaufläche erforderlich.
- Verwenden Sie zur Reinigung der LED-Leuchte keine scheuernden Materialien oder aggressiven Reinigungsmittel, da dies die Sekundäroptik beschädigen kann. Verwenden Sie stattdessen ein sauberes, trockenes Gewebe/Tuch.
- Verwenden Sie die LED-Leuchte nicht in der Nähe von brennbaren, explosiven oder reaktiven Stoffen. Die LED-Leuchte kann Temperaturen von 40°C erreichen.
- Verwenden Sie keine Schwefelverdampfer oder Wasserzerstäuber.
- Die Installation und Verwendung der LED-Leuchte liegt in der Verantwortung des Endverbrauchers. Unsachgemäße Verwendung oder Installation kann zu Ausfällen und Schäden an der LED-Leuchte führen. Schäden an der LED-Leuchte und der elektronischen Schaltung durch unsachgemäße Installation und Verwendung führen zum Erlöschen der Garantie.

5. INHALT



6. INSTALLATION

Warnung! Die Montage und Installation der LED-Leuchte muss in Übereinstimmung mit den geltenden lokalen Gesetzen und Vorschriften erfolgen.

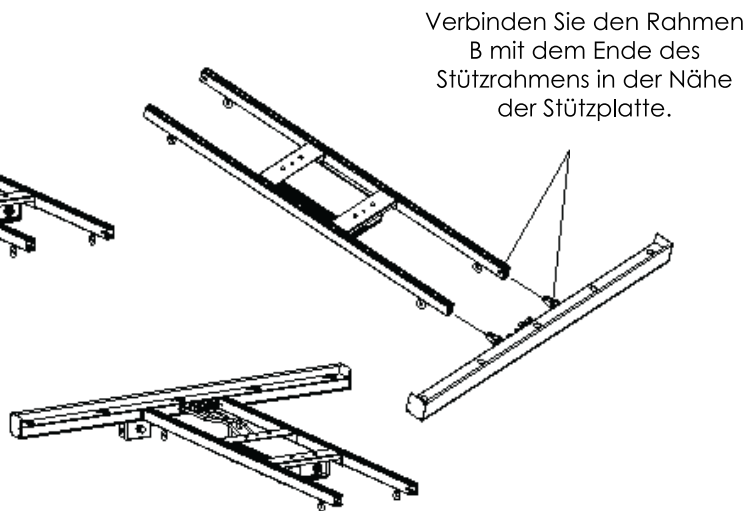
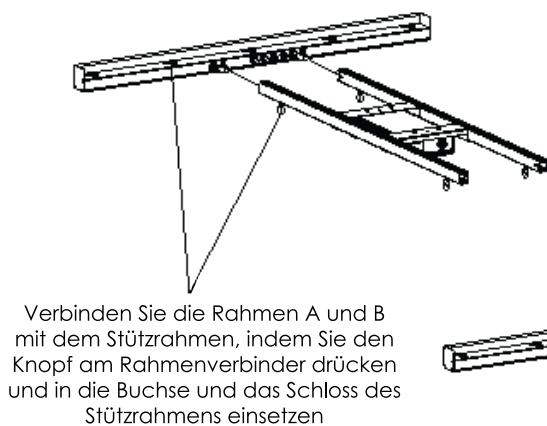
Warnung! Der Installateur ist für die korrekte und sichere Installation verantwortlich.

Warnung! Stellen Sie sicher, dass die lokale Verkabelung den Spannungs- und Stromanforderungen der LED-Leuchte entspricht.

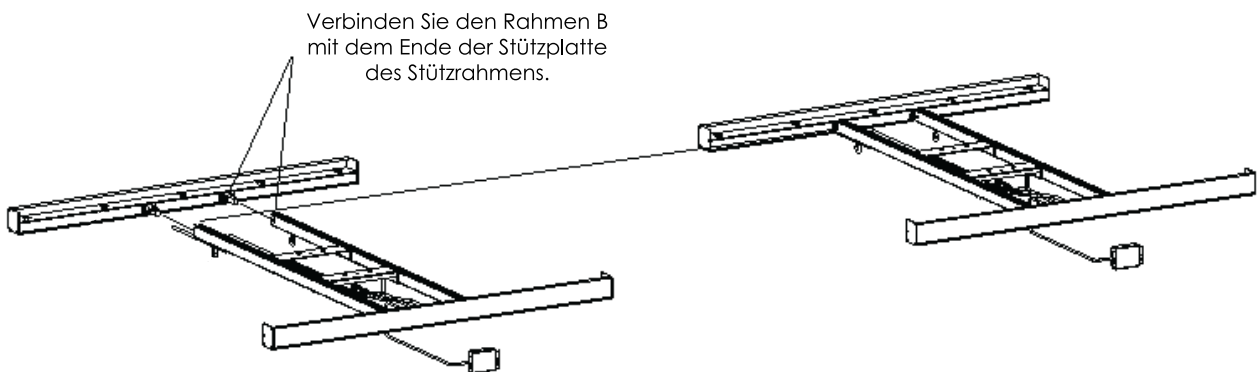
Warnung! Vermeiden Sie Spiralkabel und halten Sie die Netzleitungen getrennt, um elektromagnetische Störungen zu vermeiden.

Warnung! Schließen oder trennen Sie das LED-Gerät nicht unter Last.

6.1 Montage des Rahmens



Beachten Sie bei der Installation die Richtung; das Treiberfach befindet sich oben, wenn das Gerät aufgehängt wird. Drücken Sie die Taste am Rahmen-Druckknopfanschluss, um die Verbindung herzustellen, und stellen Sie sicher, dass die Taste in der Lochbuchse zum Verriegeln auftaucht.



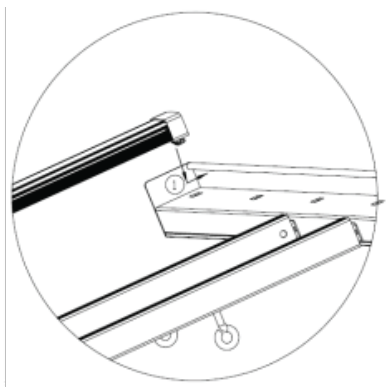
Drücken Sie die Taste am Rahmen A ein, dann drücken Sie den Klickverbinder, um diesen mit dem Tragrahmen zu verbinden. Vergewissern Sie sich, dass die Taste in die Lochbuchse einrastet, um sie zu verriegeln. Beachten Sie bei der Installation die Richtung; das Treiberfach befindet sich oben, wenn das Gerät aufgehängt wird.

6.2 Den Treiber verbinden

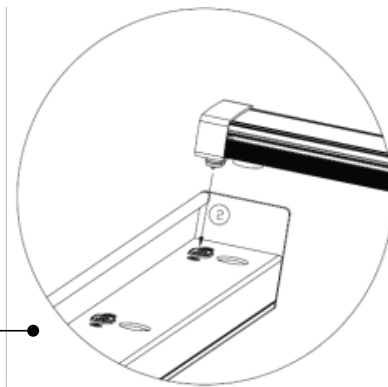


Hinweis! Mit Lumatek 5m LED-Treiberverlängerungskabeln (separat erhältlich) kann der Treiber für mehr Flexibilität aus der Ferne positioniert werden.

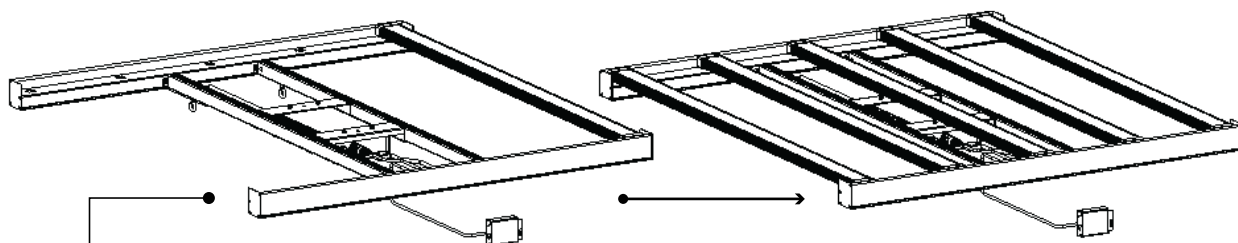
6.3 Die LED-Lichtbalken anschließen



Vergewissern Sie sich, dass der Treiber befestigt ist, und drehen Sie die Vorrichtung um, so dass sich der Treiber nun darunter befindet. Stecken Sie das Ende des Lichtbalkens mit dem Haken in das Quadratloch im Rahmen A.



Dann das andere Ende einsetzen; das runde Loch am Rahmen B mit dem magnetischen Ende des Lichtbalkens ausrichten und den Stift in die Buchse stecken. Vergewissern Sie sich, dass die Magnetverbindung sicher ist.



Montieren Sie die restlichen Lichtleisten wie in Abb. 9 gezeigt in den Halterahmen.

6.4 Lichtleisten ersetzen und wechseln

Einzelne 93W-Lichtbalken sind als Ersatz oder mit unterschiedlichen Spektralverhältnissen erhältlich, um die Spektralleistung der Vorrichtung anzupassen.

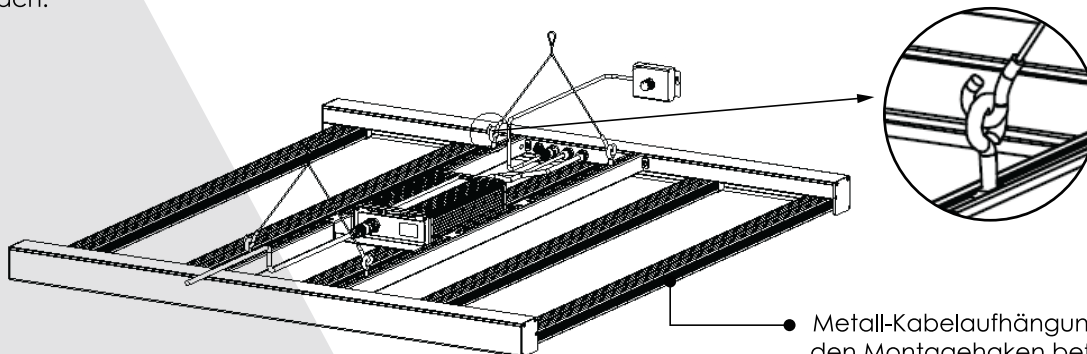
Das modulare Design der Zeus Pro Leuchte verfügt über einen intelligenten LED-Treiber, der die Leistung automatisch anpassen und verringern oder erhöhen kann, um die Anzahl der auf der Leuchte installierten 93W-Lichtbalken anzupassen.

Warnung! Vor dem Einschalten muss mindestens ein Lichtbalken in der Leuchte installiert sein.

6.5 Installation des Geräts

Warnung! Montieren Sie das System an etwas, das das Gewicht der LED-Leuchte tragen kann.

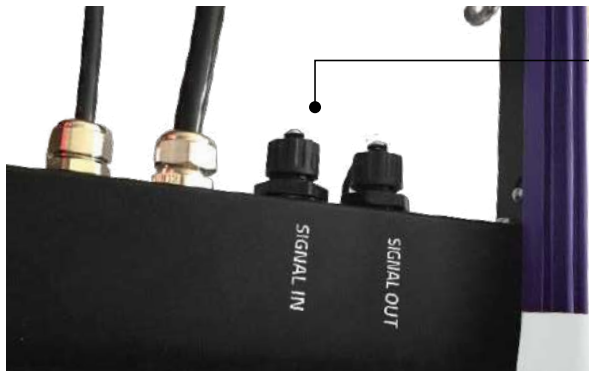
Vergewissern Sie sich, dass alle Lichtleisten korrekt installiert und sicher sind. Drehen Sie das Gerät vorsichtig um und befestigen Sie die Metallkabelaufhänger an den Montagehaken. Hängen Sie das Gerät in der gewünschten Position und Höhe auf. Für optimale Leistung; Positionieren Sie das Gerät 30 - 50 cm über dem Pflanzenschutzdach.



Metall-Kabelaufhängungen an den Montagehaken befestigen

6.6 Anschluss der manuellen Dimmersteuerung

Die Dimmersteuerung ist mit dem Dimming IN-Anschluss am Gerät verbunden. Dadurch kann die Lichtintensität (PPF-Ausgang) bedarfsgerecht eingestellt werden. Die Lichtintensität der LED-Leuchte kann eingestellt werden, ohne die spektrale Leistungsverteilung zu verändern oder die Effizienz zu beeinträchtigen.



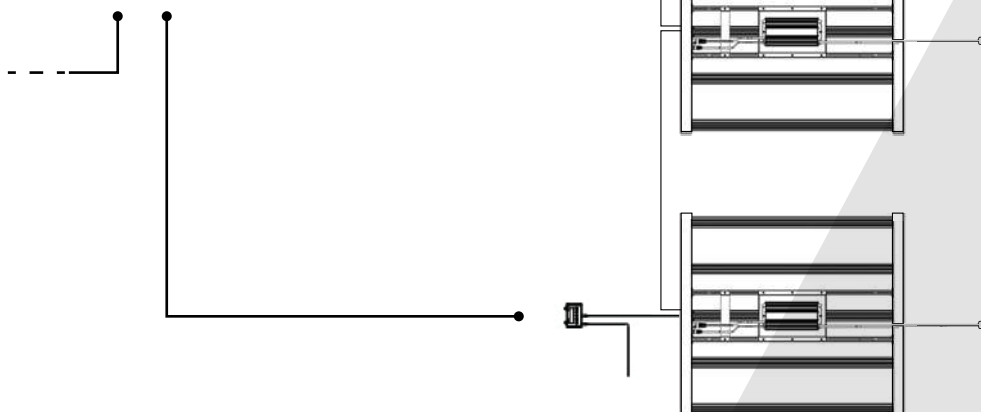
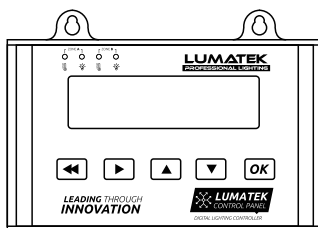
Schließen Sie das Signalkabel des manuellen Dimmers oder des Lichtreglers an den Anschluss „SIGNAL IN“ an.

6.7 Reihenschaltung von Leuchten zur externen Steuerung

Detaillierte Anweisungen finden Sie im Handbuch des Lumatek Control Panels.

Positionieren und hängen Sie jedes Gerät entsprechend. Verbinden Sie die T-Verbindungskomponente der Signalleitung mit der Dimmerleitung der Leuchte 1. Geräte der Zeus-Serie verwenden zur Steuerung das 0-10-V-Signalprotokoll.

- Schließen Sie das Controller-Ausgangssignalkabel an das SIGNAL 1 des Steckers an. Verbinden Sie das Signalkabel vom SIGNAL OUT-Anschluss von Gerät 1 mit dem SIGNAL IN-Anschluss von Gerät 2.
- Schließen Sie die Geräte weiterhin in Reihe an, um bis zu 100 Geräte pro Controller zu erhalten (siehe Abbildung unten).



6.8 Anschluss der LED-Leuchte an das Stromnetz

Warnung! Stellen Sie sicher, dass die Netzspannung ausgeschaltet ist.

Warnung! Stellen Sie sicher, dass das Netzkabel nicht gekrümmt oder gewickelt ist und keine heißen Oberflächen berührt.

Warnung! Schließen Sie die Kabel gemäß den örtlichen Vorschriften, Sicherheitsvorschriften und elektrischen Vorschriften an.

Warnung! Stellen Sie sicher, dass externe Schaltgeräte mit dem Einschaltstrom der LED-Leuchte fertig werden. Verwenden Sie immer ein zweipoliges Schütz, das zum Schalten einer kapazitiven Last geeignet ist. Verwenden Sie niemals Haushaltszeitschaltfuhren, um das LED-Gerät zu schalten!

An das Schaltgerät/Spannungsversorgung anschließen. Netzspannung einschalten.

Warnung! Schließen oder trennen Sie das LED-Gerät niemals unter Last.

7. VORSICHTSMAßNAHMEN BEI DER VERWENDUNG DER LED-LEUCHTE

Warnung! Stellen Sie immer sicher, dass mindestens ein Lichtbalken an das Gerät angeschlossen ist, bevor Sie es einschalten. Der Zeus Pro verfügt über einen intelligenten LED-Treiber, der die Leistung erhöht oder verringert, um die Anzahl der an das System angeschlossenen Lichtbalken anzupassen.

Warnung! Warten Sie immer 20 - 30 Minuten, bis sich die LED-Lichtbalken abgekühlt haben.

8. INSPEKTION, WARTUNG UND REPARATUR

Warning! Trennen Sie die LED-Leuchte vom Stromnetz, bevor Sie Wartungs- oder Reparaturarbeiten durchführen.

Warning! Schließen oder trennen Sie das LED-Gerät nicht unter Last.

Warning! Öffnen oder demontieren Sie die LED-Leuchte nicht, sie enthält keine wartungsfähigen Teile im Inneren. Das Öffnen der LED-Leuchte kann gefährlich sein und führt zum Erlöschen der Garantie.

Warning! Warten Sie immer 20 - 30 Minuten, bis sich die LED-Lichtbalken abgekühlt haben.

Vorsicht! Reinigen Sie die LED-Leuchte nicht mit Reinigungsmitteln, Scheuermitteln oder anderen aggressiven Substanzen.

Überprüfen Sie die LED-Leuchte regelmäßig auf Staub oder Schmutzablagerungen. Bei Bedarf reinigen. Verunreinigungen können zu Überhitzung und Leistungseinbußen führen. Reinigen Sie die Außenseite des LED-Leuchten mit einem trockenen oder feuchten Tuch.

Überprüfen Sie regelmäßig die Kabel der LED-Leuchte auf Beschädigungen.

9. LAGERUNG UND ENTSORG

Lagern Sie die LED-Leuchte in einer trockenen und sauberen Umgebung mit einer Umgebungstemperatur von -25°C bis 55°C. Das Produkt darf nicht als unsortierter Hausmüll entsorgt werden, sondern muss separat gesammelt werden, um eine Behandlung, Verwertung und umweltgerechte Entsorgung zu ermöglichen.

10. GARANTIE

Lumatek Ltd. garantiert, dass die mechanischen und elektronischen Komponenten ihres Produkts bei Verwendung unter normalen Betriebsbedingungen für einen Zeitraum von drei (3) Jahren ab dem ursprünglichen Kaufdatum frei von Material- und Verarbeitungsfehlern sind. Wenn das Produkt innerhalb dieser Frist Mängel aufweist und dieser Fehler nicht auf einen Benutzerfehler oder eine unsachgemäße Verwendung zurückzuführen ist, wird Lumatek Ltd. nach eigenem Ermessen das Produkt entweder ersetzen oder mit geeigneten neuen oder überholten Produkten oder Teilen reparieren. Falls Lumatek Ltd. beschließt, das gesamte Produkt zu ersetzen, gilt diese beschränkte Garantie für das Ersatzprodukt für die verbleibende anfängliche Garantiezeit, d.h. drei (3) Jahre ab Kaufdatum des ursprünglichen Produkts. Zur Reparatur: Senden Sie das Produkt mit dem Originalkaufbeleg an Ihren Händler zurück.

LUMATEK
PROFESSIONAL LIGHTING



Weitere Informationen zu Lumatek-Produkten
Besuch www.lumatek-lighting.com

MANUALE LUMATEK ZEUS 465W PRO COMPACT

ITALIANO

SOMMARIO

- 1. Introduzione**
- 2. Descrizione del prodotto**
- 3. Informazioni sul prodotto e specifiche**
 - 3.1 Informazioni generali sul prodotto
 - 3.2 Specifiche tecniche
 - 3.3 Dimensioni apparecchio
 - 3.4 Grafico dello spettro
 - 3.5 Curva di distribuzione della luce
 - 3.6 Ambiente
 - 3.7 Legale
- 4. Consigli di sicurezza e avvertenze**
- 5. Contenuto**
- 6. Installazione**
 - 6.1 Montare il telaio
 - 6.2 Collega il driver
 - 6.3 Collegare le barre luminose a LED
 - 6.4 Sostituzione e modifica delle barre luminose
 - 6.5 Installazione del dispositivo
 - 6.6 Collegamento del controllo dimmer manuale
 - 6.7 Collegamento di apparecchi in serie per controllo esterno
 - 6.8 Collegamento dell'apparecchio a LED alla rete elettrica
- 7. Precauzioni quando si utilizza l'apparecchiatura a LED**
- 8. Inspection, maintenance and repair**
- 9. Conservazione e smaltimento**
- 10. Garanzia**

1. INTRODUZIONE

Grazie per aver acquistato l'apparecchio barra lineare multi-illuminazione LED Lumatek Zeus 465W Pro Compact. Questo manuale descrive come installare e utilizzare l'apparecchio Zeus Pro; Si prega di leggere attentamente questo manuale prima di installare o utilizzare qualsiasi sistema della serie Lumatek Zeus. Se non si ha familiarità con l'installazione di sistemi di illuminazione ad alte prestazioni, ci si dovrebbe rivolgere a un professionista qualificato nell'installazione.

2. DESCRIZIONE PRODOTTO

Il Lumatek Zeus 465W Pro Compact LED è un apparecchio elettronico a LED per l'orticoltura che utilizza un design a configurazione lineare con cinque barre luminose a LED. Zeus Pro è una soluzione di illuminazione superiore ad altissime prestazioni a ciclo completo per l'orticoltura commerciale, con la potenza e la flessibilità per passare dalla crescita vegetativa a maggiori intensità luminose nella fioritura. In questo manuale, il LED Lumatek Zeus 465W Pro Compact sarà denominato: "apparecchio a LED".

3. INFORMAZIONI E LE SPECIFICHE DEL PRODOTTO

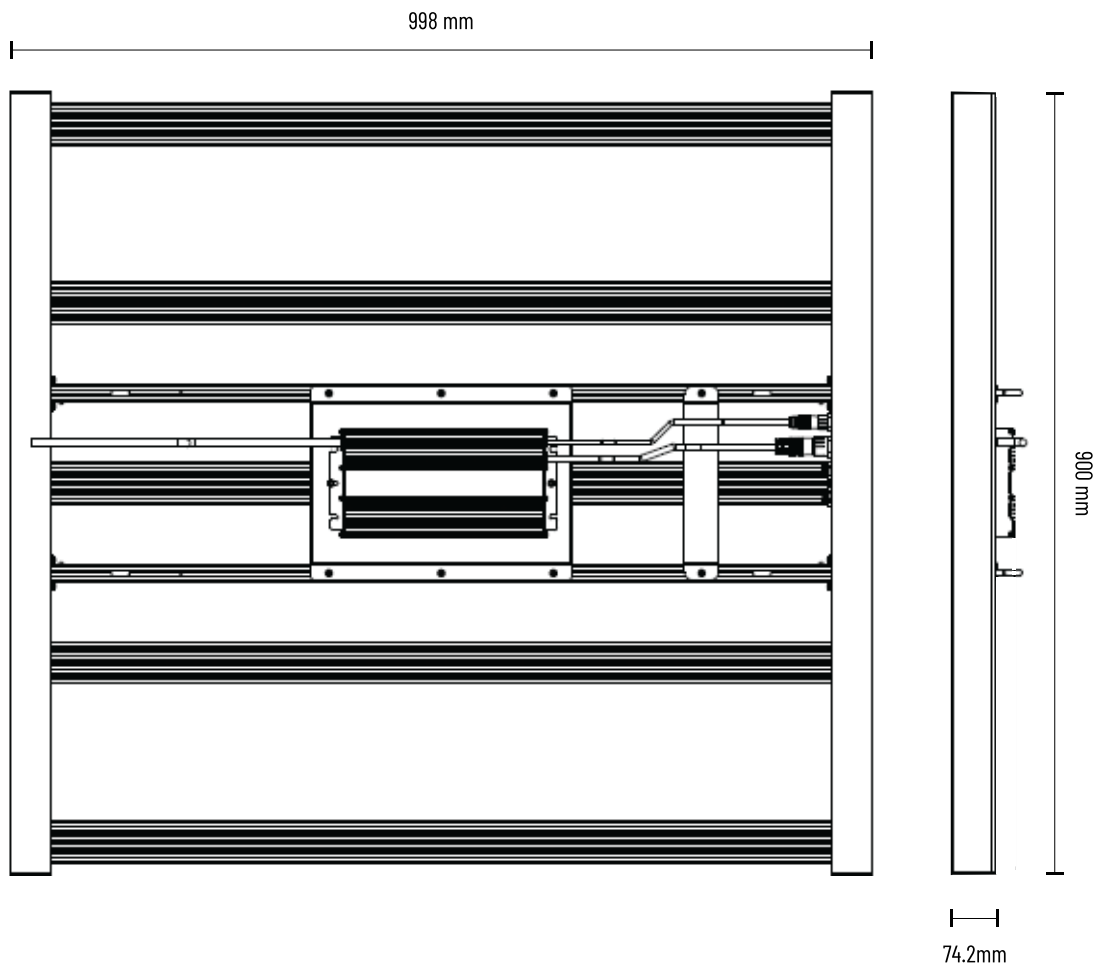
3.1 Informazioni generali sul prodotto

NOME DEL PRODOTTO	Lumatek Zeus 465W Pro Compact LED
NUMERO PARTE	LUMLED007P
FABBRICANTE	Lumatek EU
EAN	5060560030935
TIPO DI SPINA	UK/EU

3.2 Specifiche tecniche

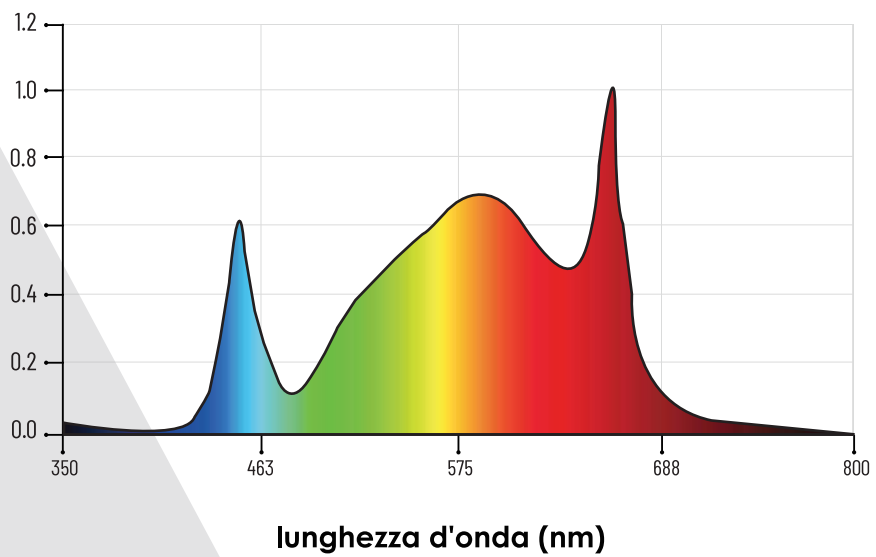
TENSIONE DI INGRESSO	220 - 240V 50/60Hz AC
POTENZA DI INGRESSO	465W
CORRENTE DI INGRESSO 230V , 100% o/p	2.0A (2.6A max)
FATTORE DI POTENZA	>0.95
PPF	1256 $\mu\text{mol/s}$
EFFICACIA	2.7 $\mu\text{mol/J}$
SPETTRO	Spettro completo F
FONTE DI LUCE	LUMATEK LUMLED (W) & Osram (R) LED
DIMENSIONI (LxWxH)	998 x 900 x 74.2mm
PESO	11Kg
DURATA DI VITA	>50000H
TEMPERATURA DI LAVORO	-20° -- +40°C
UMIDITÀ DI LAVORO	20% - 90%
IMPERMEABILE/ANTIPOLVERE	IP65
ANGOLO DEL FASCIO LUMINOSO	120°
REGOLAZIONE INTENSITÀ LUMINOSA MANUALE/ CONTROLLER ILLUMINAZIONE ESTERNA	protocollo analogico 0-10V

3.3 Dimensioni apparecchio

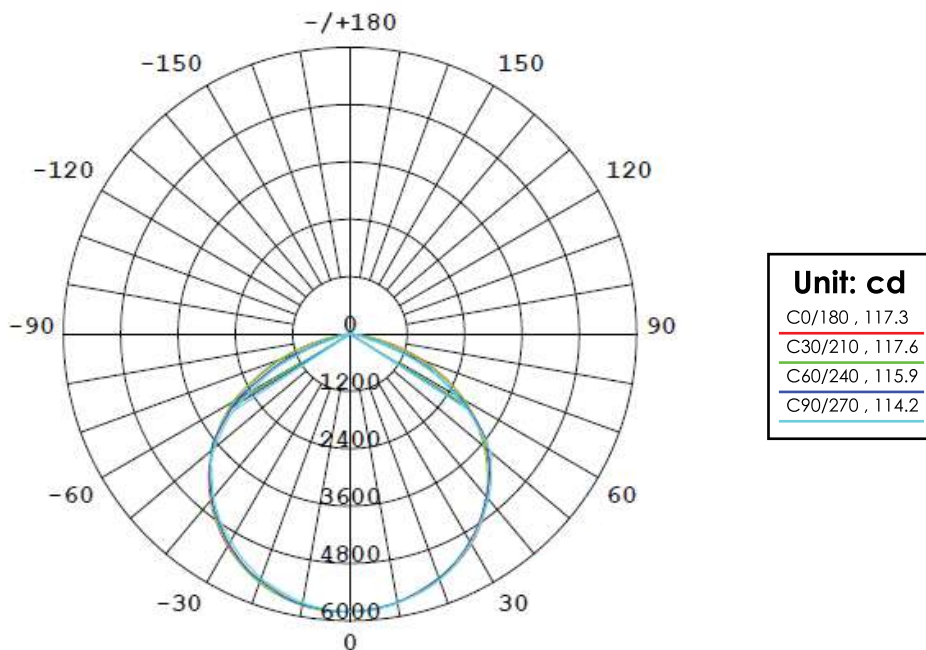


3.4 Spettri

Spettro completo F



3.5 Curva di distribuzione della luce



3.6 Ambiente

L'apparecchio a LED è stato progettato per essere utilizzato in grow room a temperatura controllata e aziende agricole al coperto. Il prodotto può essere utilizzato in ambienti umidi, ma non può essere usato in ambienti bagnati o all'esterno.

Il prodotto funziona a temperature ambiente da -20°C a 40°C, ma funziona a livello ottimale tra i 20°C e i 30°C. Il prodotto opererà con umidità 20% - 90% di umidità, senza produrre condensa.

3.7 Legale

Questo prodotto è conforme alla normativa CE con standard di test direttivi LVD e EMC.

LVD;

EN 60598-1:2015+A1:2018
EN 60598-2-1:1989
EN 62031:2008+1:2013+A2:2015
EN 62493:2015
EN62471:2008

EMC;

EN 55015:2013+A1:2015
EN 61547:2009
EN 61000-3-2:2014
EN 61000-3-3:2013

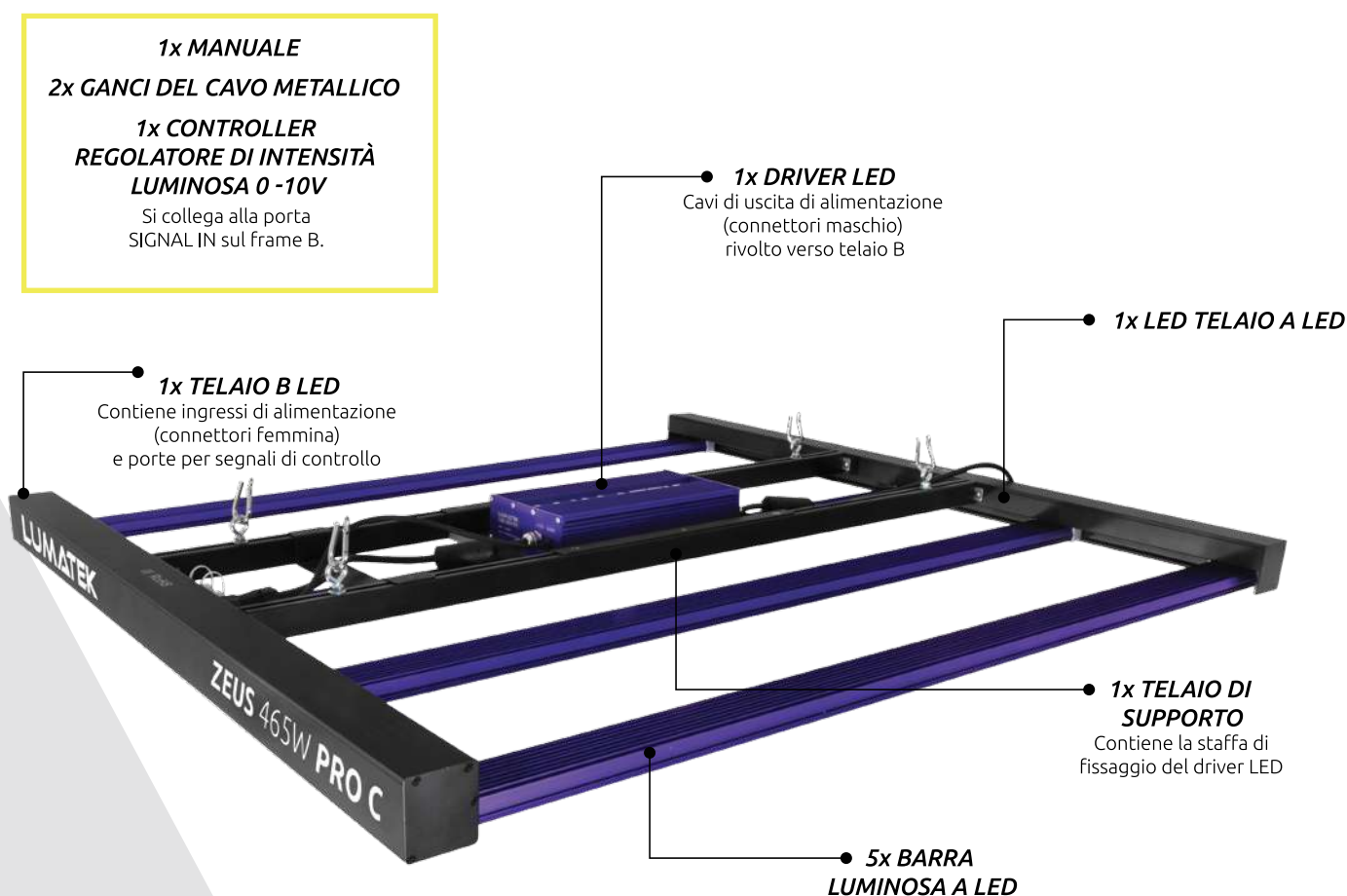
4. CONSIGLI E AVVERTENZE SULLA SICUREZZA

Avvertimento! Leggere attentamente le avvertenze di seguito prima di utilizzare o lavorare con il prodotto! Rispettare sempre le norme e i regolamenti locali durante l'installazione o l'utilizzo dell'apparecchio a LED.

- Non aprire o smontare l'apparecchio a LED in quanto non contiene parti riparabili all'interno. L'apertura o la modifica del dispositivo del LED può essere pericoloso e invalidare la garanzia.
- Non utilizzare l'apparecchio a LED se l'apparecchio a LED o il cavo di alimentazione sono danneggiati. Sostituire il cavo di alimentazione esclusivamente con un cavo con impedenza nominale corretta.
- Modifiche ai cavi possono portare ad effetti elettromagnetici indesiderati che possono rendere il prodotto non conforme ai requisiti di legge.
- Non esporre l'apparecchio a LED a:
Condensa, nebbia pesante o spruzzo diretto;
Temperature ambiente fuori dal range specificato;
Polvere e contaminazione;
Luce solare diretta durante l'uso o luce HID che possono riscaldare il driver.

- Scollegare sempre l'apparecchio LED dalla rete prima di eseguire la manutenzione.
- Consentire sempre un periodo di raffreddamento di almeno 20-30 minuti prima di toccare le barre luminose a LED. Toccando le barre LED quando l'apparecchio è acceso o immediatamente dopo può provocare ustioni!
- La convezione naturale rimuove calore dal dissipatore di calore. Affinché il sistema si raffreddi correttamente, sono richiesti almeno 5 centimetri di spazio tra l'apparecchio e il tetto dell'area di coltivazione.
- Non usare materiali abrasivi o detergenti aggressivi per pulire l'apparecchio a LED per evitare di danneggiare l'ottica secondaria. Utilizzare invece un tessuto/panno pulito e asciutto.
- Non utilizzare l'apparecchio a LED in prossimità di sostanze infiammabili, esplosive o reattivi. L'apparecchio a LED può raggiungere temperature di 40°C.
- Non utilizzare vaporizzatori di zolfo o d'acqua.
- L'installazione e l'utilizzo dell'apparecchio a LED è responsabilità dell'utente finale. L'uso o installazione non corretta possono portare a difetti e danni al dispositivo a LED. Danni al supporto LED e alla circuiteria elettronica come conseguenza di installazione e utilizzo incorretti comporta la revoca della garanzia.

5. CONTENUTI



6. IINSTALLAZIONE

Avvertimento! Montare e installare l'apparecchio a LED in conformità con le leggi locali e i regolamenti applicabili.

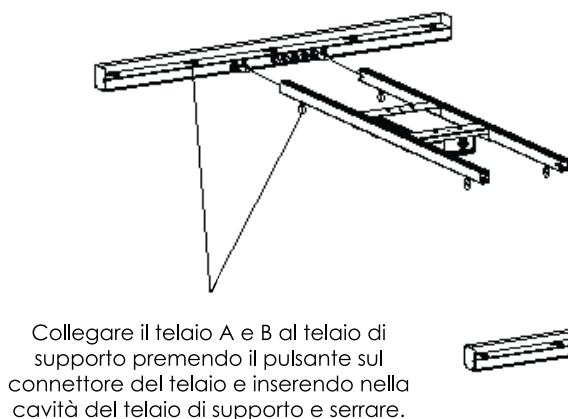
Avvertimento! L'installatore è responsabile per l'installazione corretta e sicura.

Avvertimento! Assicurarsi che il cablaggio locale possa supportare i requisiti di tensione e corrente dell'apparecchio LED.

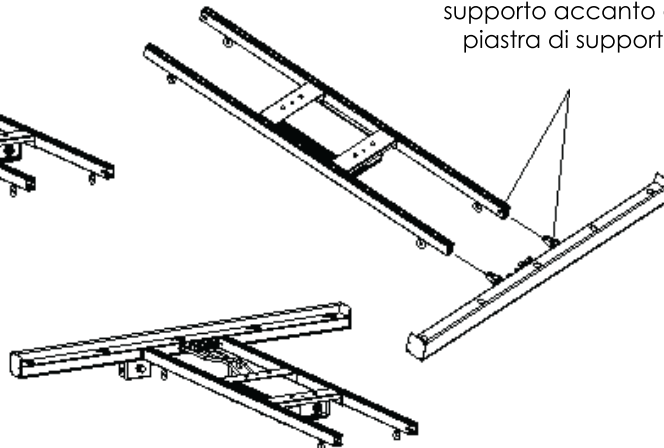
Avvertimento! Evitare cavi attorcigliati e mantenere cavi di alimentazione separati per prevenire le interferenze elettromagnetiche.

Avvertimento! Non collegare o scollegare l'apparecchio a LED quando sotto carico.

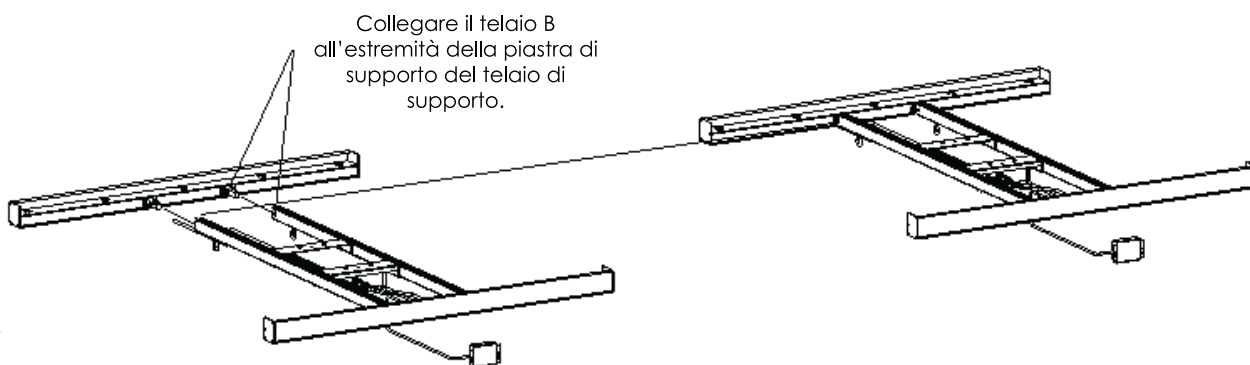
6.1 Montare il telaio



Collegare il telaio B all'estremità del telaio di supporto accanto alla piastra di supporto.



Fare attenzione alla direzione durante l'installazione; il vassoio del driver risulta in alto quando l'apparecchio è appeso. Premere sul connettore push-click del telaio per collegare e assicurarsi che il pulsante spunti fuori nella cavità per serrare.

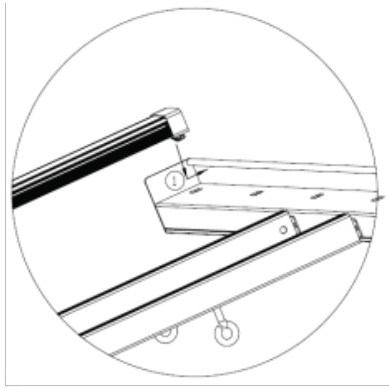


6.2 Collegare il driver

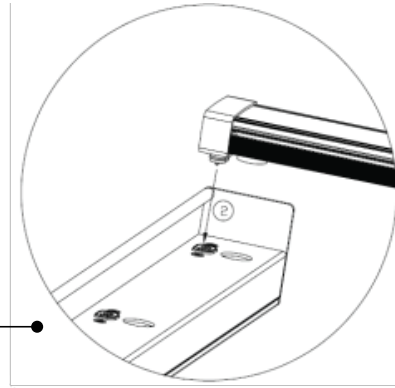


Nota! Utilizzando le prolungher per driver LED Lumatek da 5 m (vendute separatamente), il driver può essere posizionato in remoto per una maggiore flessibilità.

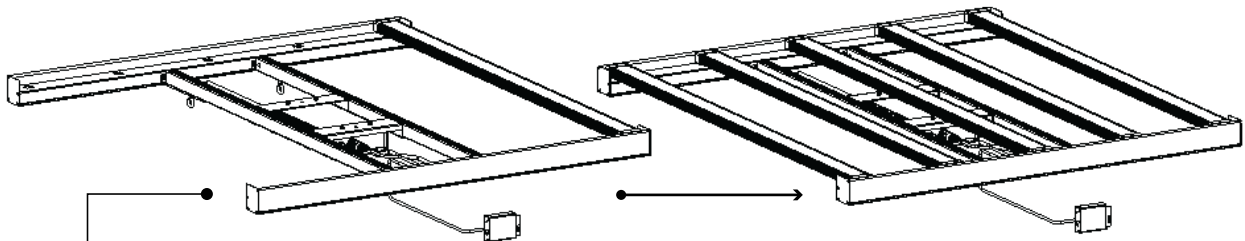
6.3 Collegare la barra luminosa a LED



Assicurarsi che il driver sia stabile e capovolgere l'apparecchio in modo che il driver si trovi in posizione inferiore. Inserire l'estremità della barra luminosa con il gancio nel foro quadrato nel telaio A.



l'altra estremità; allineare il foro rotondo del telaio B con l'estremità magnetico della barra luminosa e inserire il perno maschio nella presa femmina. Assicurarsi che il collegamento magnetico sia sicuro.



● Assemblare il resto delle barre luminose nel telaio di fissaggio come mostrato in Figura

6.4 Sostituire e cambiare le barre luminose

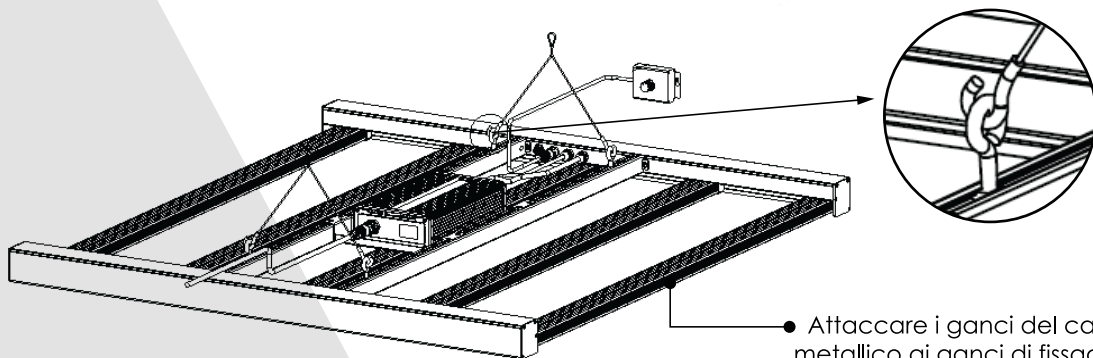
Sono disponibili all'acquisto barre luminose individuali da 93W per sostituzioni o con differenti rapporti spettrali per regolare l'uscita spettrale dell'apparecchio. Il design modulare dell'apparecchio Zeus Pro ha un driver LED intelligente che può rilevare automaticamente e diminuire o aumentare la potenza in modo da corrispondere alla quantità di barre luminose da 93W installate sull'apparecchio.

Avvertimento! Almeno una barra luminosa deve essere installata nell'apparecchio prima dell'accensione.

6.5 Installare l'apparecchio

Avvertimento! Montare il sistema su qualcosa in grado di supportare il peso dell'apparecchio a LED.

Assicurarsi che tutte le barre luminose siano installate correttamente e siano stabili. Girare delicatamente l'apparecchio e fissare i ganci del cavo metallico ai ganci di montaggio. Appendere l'apparecchio nella posizione e altezza desiderate. Per prestazioni ottimali; posizionare l'apparecchiatura 30 - 50 cm sopra il baldacchino della pianta.



● Attaccare i ganci del cavo metallico ai ganci di fissaggio

6.6 Collegare il controllo del regolatore manuale dell'intensità luminosa

Il controllo dimmer è collegato al connettore Dimming IN sull'apparecchio. Ciò consente di regolare l'intensità luminosa (uscita PPF) in base alle necessità. L'intensità della luce della lampada a LED può essere regolata senza variare la distribuzione spettrale o perdere efficienza.



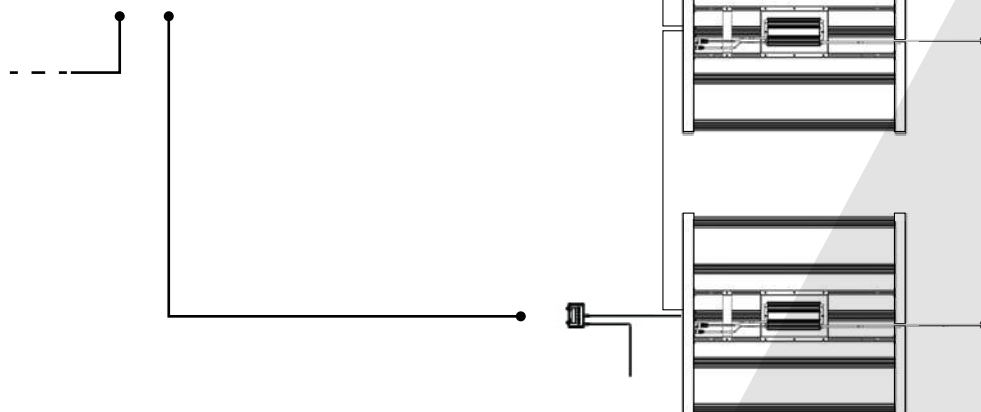
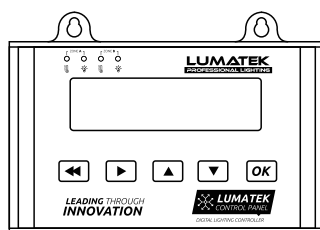
• Collegare il dimmer manuale o il cavo di segnale del controller di illuminazione al connettore "SIGNAL IN".

6.7 Collegare apparecchi in serie per il controllo esterno

Per istruzioni dettagliate fare riferimento al manuale Pannello di controllo Lumatek.

Posizionare e appendere ogni apparecchio in modo appropriato. Gli apparecchi della serie Zeus utilizzano il protocollo di segnale 0-10 V per il controllo.

- Collegare il cavo del segnale di uscita del controller al connettore SIGNAL del dispositivo 1. Collegare il filo del segnale dal connettore SIGNAL OUT del dispositivo 1 al connettore SIGNAL IN del dispositivo 2.
- Continuare a collegare gli apparecchi in serie per un massimo di 100 apparecchi per controller, vedere la figura seguente.



6.8 Collegare l'apparecchio a LED alla rete

Avvertimento! Assicurarsi che l'alimentazione di rete sia spenta.

Avvertimento! Assicurarsi che il cavo di alimentazione non sia attorcigliato e non sia in contatto con superfici calde.

Avvertimento! Collegare i cavi in base alle leggi locali, norme di sicurezza e codice elettrico.

Avvertimento! Assicurarsi che il dispositivo di commutazione esterno possa far fronte alla corrente di spunto dell'apparecchio a LED. Utilizzare sempre un contattore bipolare adatto a commutare un carico capacitivo. Non usare mai un timer domestico per accendere l'apparecchio a LED!

Collegare a dispositivo di commutazione/alimentazione elettrica. Accendere alimentazione.

Avvertimento! Non collegare o scollegare l'apparecchio a LED sotto carico.

7. PRECAUZIONI QUANDO SI UTILIZZA L'APPARECCHIO A LED

Avvertimento! Assicurarsi sempre che almeno una barra luminosa sia collegata all'apparecchio prima dell'accensione. Lo Zeus Pro ha un driver LED intelligente che aumenta o diminuisce la potenza per adattarsi alla quantità di barre luminose collegate al sistema.

Avvertimento! Attendere sempre 20 - 30 minuti per consentire alle barre luminose a LED di raffreddarsi.

8. ISPEZIONE, MANUTENZIONE E RIPARAZIONE

Avvertimento! Scollegare l'apparecchio dalla rete LED prima di eseguire qualsiasi intervento di manutenzione o riparazione.

Avvertimento! Non collegare o scollegare l'apparecchio a LED sotto carico.

Avvertimento! Non aprire o smontare l'apparecchio a LED, non contiene parti riparabili. L'apertura del dispositivo a LED può essere pericoloso e invalidare la garanzia.

Avvertimento! Attendere sempre 20 - 30 minuti per consentire alle barre luminose a LED di raffreddarsi.

Attenzione! Non pulire l'apparecchio a LED con detergenti, abrasivi o altre sostanze aggressive.

Regularly check the LED fixture for dust or dirt build up. Clean if necessary. Contamination may cause overheating and decreased performance. Clean the outside of the LED fixture using a dry or damp cloth.

Regularly check the cables of the LED fixture to ensure it is undamaged.

9. CONSERVAZIONE E SMALTIMENTO

Conservare l'apparecchio a LED in un ambiente asciutto e pulito, con una temperatura ambiente di 25°C - 55°C. Il prodotto non deve essere smaltito come rifiuto indifferenziato ma devono essere raccolti separatamente ai fini del trattamento, recupero e smaltimento ecologico.

10. GARANZIA

Lumatek Ltd garantisce che i componenti meccanici ed elettronici del loro prodotto siano privo di difetti di materiali e lavorazione, se usato in condizioni operative normali, per un periodo di tre (3) anni dalla data di acquisto. Se il prodotto mostra eventuali difetti entro questo periodo e il difetto non è imputabile a un errore o uso improprio dell'utente Lumatek Ltd procede, a sua discrezione, a sostituire o a riparare il prodotto utilizzando opportuni prodotti nuovi o prodotti o parti rigenerati. Nel caso in cui Lumatek Ltd decida di sostituire l'intero prodotto, questa garanzia limitata si applicherà al prodotto di sostituzione per il periodo rimanente della copertura, vale a dire tre (3) anni dalla data di acquisto del prodotto originale. Per assistenza tecnica; restituire il prodotto al tuo negozio con la ricevuta di acquisto originale.ice; return the product to your shop with the original sales receipt.

LUMATEK
PROFESSIONAL LIGHTING



Per ulteriori informazioni sui prodotti Lumatek visita www.lumatek-lighting.com

MANUEL LUMATEK ZEUS 465W PRO COMPACT

FRANÇAIS

TABLE DES MATIÈRES

1. **Introduction**
2. **Description du produit**
3. **Informations sur le produit et spécifications**
 - 3.1 Informations générales sur le produit
 - 3.2 Spécifications techniques
 - 3.3 Dimensions de la lampe
 - 3.4 Graphique de spectre
 - 3.5 Courbe de distribution de la lumière
 - 3.6 Environnement
 - 3.7 Légal
4. **Recommandations de sécurité et avertissements**
5. **Contenu**
6. **Installation**
 - 6.1 Assembler le cadre
 - 6.2 Connecter le pilote
 - 6.3 Connecter les barres lumineuses LED
 - 6.4 Remplacement et changement des barres lumineuses
 - 6.5 Installer le luminaire
 - 6.6 Raccordement du variateur manuel
 - 6.7 Appareils de connexion en série pour le contrôle externe
 - 6.8 Connexion du luminaire LED au secteur
7. **Précautions lors de l'utilisation du luminaire LED**
8. **Inspection, maintenance et réparation**
9. **Stockage et élimination**
10. **garantie**

1. INTRODUCTION

Nous vous remercions pour l'achat de la lampe Lumatek Zeus 465W Pro Compact à plusieurs barres lumineuses LED. Ce manuel décrit l'installation et l'utilisation du luminaire Zeus Pro; veuillez lire attentivement ce manuel avant d'installer ou de mettre en marche tout système de la série Lumatek Zeus. Si vous n'êtes pas habitué à l'installation de systèmes lumineux de haute performance, nous vous recommandons de faire appel à un professionnel qualifié.

2. DESCRIPTION DU PRODUIT

Le Lumatek Zeus 465W Pro Compact LED est une lampe LED électronique horticole utilisant un design linéaire composé de cinq barres lumineuses LED. La Zeus Pro est un produit de haute performance lumineuse pour l'horticulture commerciale, avec la puissance et la flexibilité de passer d'une culture végétative à des intensités lumineuses bien plus importantes.

Dans ce manuel, la Lumatek Zeus 465W Pro Compact LED sera appelée: "la lampe LED".

3. INFORMATIONS ET SPÉCIFICATIONS SUR LE PRODUIT

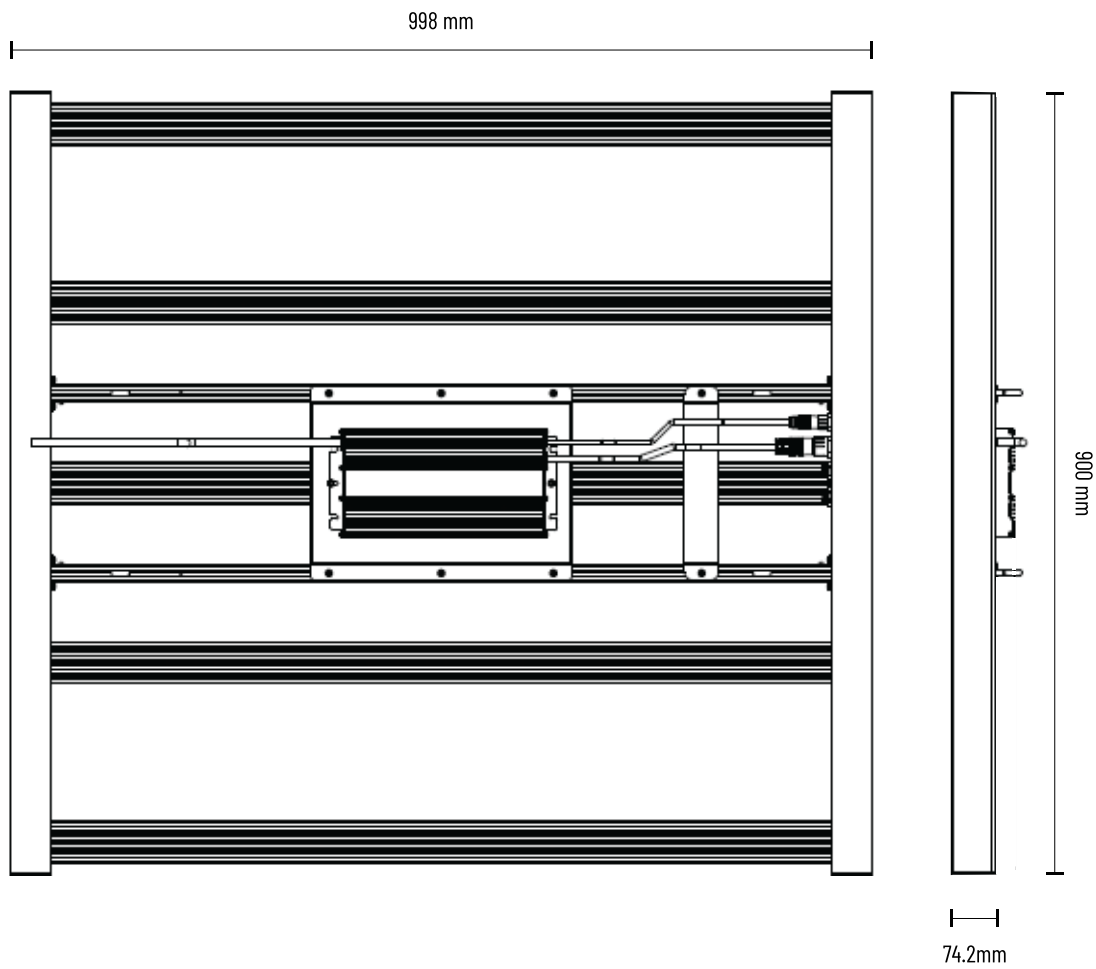
3.1 Informations générales sur le produit

NOM DU PRODUIT	Lumatek Zeus 465W Pro Compact LED
NUMÉRO DE PIÈCE	LUMLED007P
FABRICANT	Lumatek EU
EAN	5060560030935
TYPE DE PRISE	UK/EU

3.2 Spécifications techniques

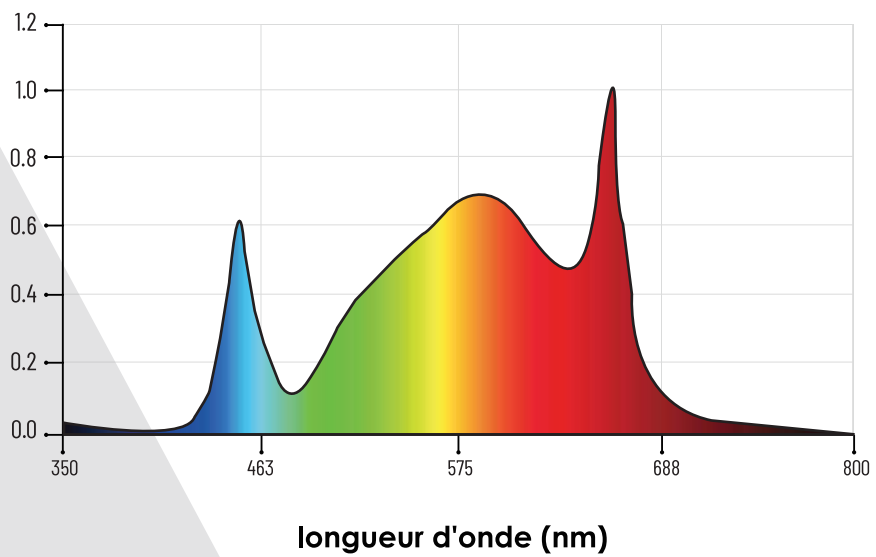
TENSION D'ENTRÉE	220 - 240V 50/60Hz AC
PUISSANCE D'ENTRÉE	465W
COURANT D'ENTRÉE 230V , 100% o/p	2.0A (2.6A max)
POWER FACTOR FACTEUR DE PUISSANCE	>0.95
PPF	1256 µmol/s
EFFICACITÉ	2.7 µmol/J
SPECTRE	Spectre complet F
SOURCE LUMINEUSE	LUMATEK LUMLED (W) & Osram (R) LED
DIMENSIONS (LxWxH)	998 x 900 x 74.2mm
POIDS	11Kg
DURÉE DE VIE	>50000H
TEMPÉRATURE DE FONCTIONNEMENT	-20° -- +40°C
TAUX D'HUMIDITÉ ACCEPTÉ	20% - 90%
RÉSISTANCE À L'EAU/POUSSIÈRE	IP65
ANGLE DE RAYONNEMENT	120°
VARIATION MANUELLE/ CONTRÔLEUR DE LAMPE EXTERNE	0-10V protocole analogue

3.3 Dimensions de la lampe

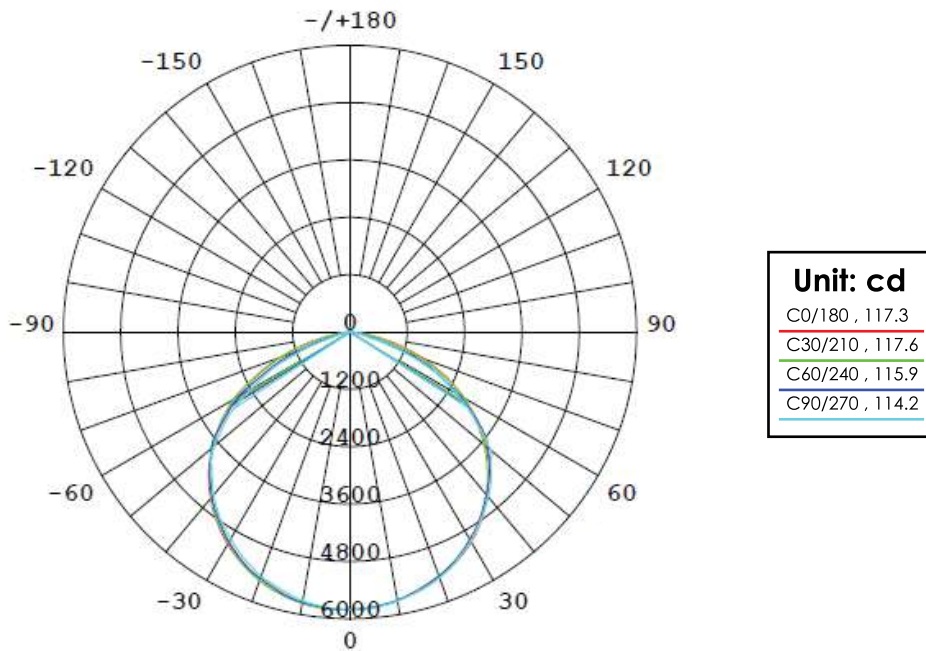


3.4 Spectre

Spectre complet F



3.5 Courbe de distribution lumineuse



3.6 Environnement

Le luminaire LED est destiné à être utilisé dans les salles de culture à température contrôlée et les fermes intérieures. Le produit peut être utilisé dans des lieux humides mais ne doit pas être utilisé dans des lieux mouillés ou à l'extérieur. Ce produit fonctionnera dans des températures se situant entre -20°C et 40°C mais fonctionne de façon optimale entre 20°C et 30°C.

Le produit fonctionnera dans un taux d'humidité de 20% à 90%, sans condensation.

3.7 Informations légales

Ce produit est certifié CE conformément aux normes d'essais LVD et EMC.

LVD;

EN 60598-1:2015+A1:2018
EN 60598-2-1:1989
EN 62031:2008+1:2013+A2:2015
EN 62493:2015
EN62471:2008

EMC;

EN 55015:2013+A1:2015
EN 61547:2009
EN 61000-3-2:2014
EN 61000-3-3:2013

4. RECOMMANDATIONS ET AVERTISSEMENTS DE SÉCURITÉ

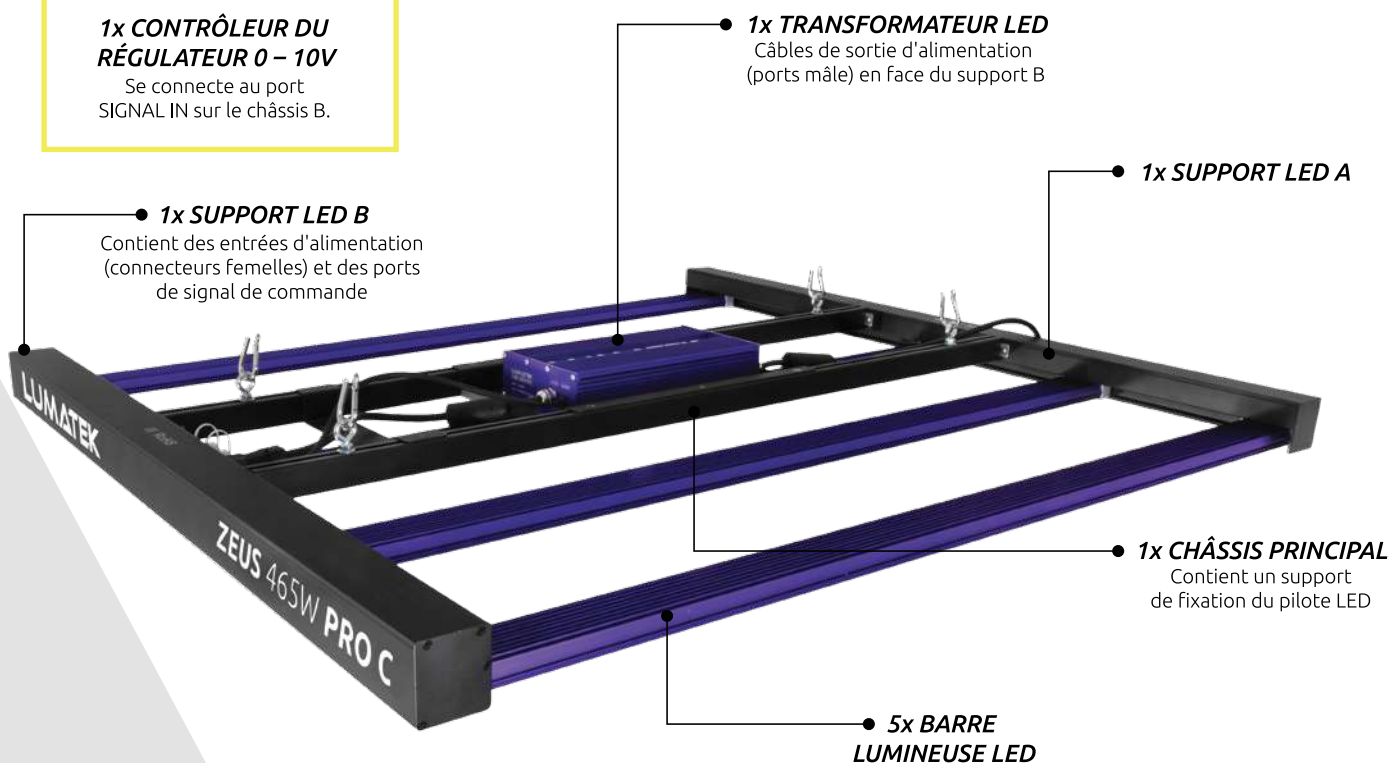
Avertissement ! Veuillez lire attentivement les avertissements ci-dessous avant d'utiliser ou de mettre en marche le produit !

- Référez-vous toujours aux règles et réglementations locales avant d'installer ou d'utiliser cette lampe LED.
- N'ouvrez pas et ne démontez pas la lampe LED car elle contient des pièces non remplaçables à l'intérieur. L'ouverture ou la modification de la lampe LED peut être dangereux et révoquera la garantie.
- N'utilisez pas cette lampe LED si celle-ci ou le câble d'alimentation sont endommagés. Remplacez le câble d'alimentation uniquement par des câbles d'alimentation certifiés.
- Les modifications apportées aux câbles peuvent engendrer des effets électromagnétiques non désirés, qui peuvent rendre le fonctionnement du produit non adéquat aux conditions légales.
- N'exposez pas cette lampe LED à:
 - De l'humidité condensée, la brume épaisse ou un spray direct;
 - Des températures ambiantes excédant celles spécifiées;
 - De la poussière et la pollution;
 - De la lumière du soleil ou de la lumière HID qui pourraient conduire à la surchauffe du transformateur.

- Déconnectez toujours la lampe LED de l'alimentation avant d'effectuer quelque maintenance.
- Laissez toujours refroidir la lampe LED pendant une période d'au moins 20-30 minutes avant de toucher les barres lumineuses LED. Toucher les barres lumineuses lorsque celles-ci sont chaudes peut engendrer de sévères brûlures !
- La convection naturelle retire la chaleur du dissipateur. Afin que le système puisse bien se refroidir de façon autonome, un espace de 5cm minimum est requis entre la lampe et le toit de votre zone de culture.
- N'utilisez pas de matériaux abrasifs ou de produits de nettoyage agressifs pour nettoyer la lampe LED car cela pourrait endommager les optiques secondaires. Utilisez un chiffon/tissu propre et sec à la place.
- N'utilisez pas la lampe LED proche de substances inflammables, explosives ou réactives. Cette lampe LED peut atteindre une température de 40°C.
- N'utilisez pas de vaporisateurs de sulfure ou de brumisateurs.
- L'installation et l'utilisation de la lampe LED est la responsabilité de l'utilisateur final. L'utilisation ou l'installation incorrecte de cette lampe LED peut engendrer sa défaillance ou son endommagement. L'endommagement de la lampe LED et du circuit électronique résultant d'une installation et/ou d'une utilisation incorrecte du produit révoquera sa garantie.

5. CONTENU

1x MANUEL
2x CÂBLES D'ATTACHE EN MÉTAL
1x CONTRÔLEUR DU RÉGULATEUR 0 – 10V
 Se connecte au port SIGNAL IN sur le châssis B.



6. INSTALLATION

Attention ! Le montage et l'installation de la lampe LED doivent respecter les règles et réglementations locales.

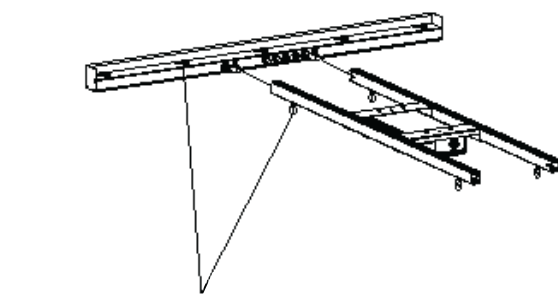
Attention ! L'installateur est responsable de l'installation correcte et sécurisée du produit.

Attention ! Assurez-vous que le câblage puisse supporter la tension et le courant requis par la lampe LED.

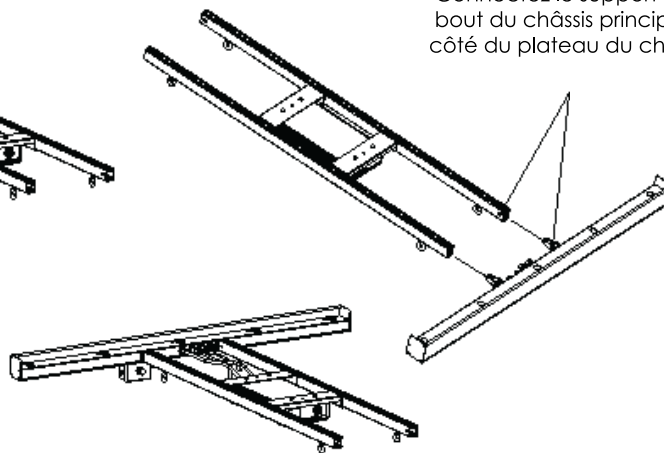
Attention ! Évitez les câbles enroulés et gardez les câbles électriques séparés afin d'éviter les interférences électromagnétiques.

Attention ! Ne connectez ou déconnectez pas la lampe LED sous tension.

6.1 Assemblage et installation de la lampe



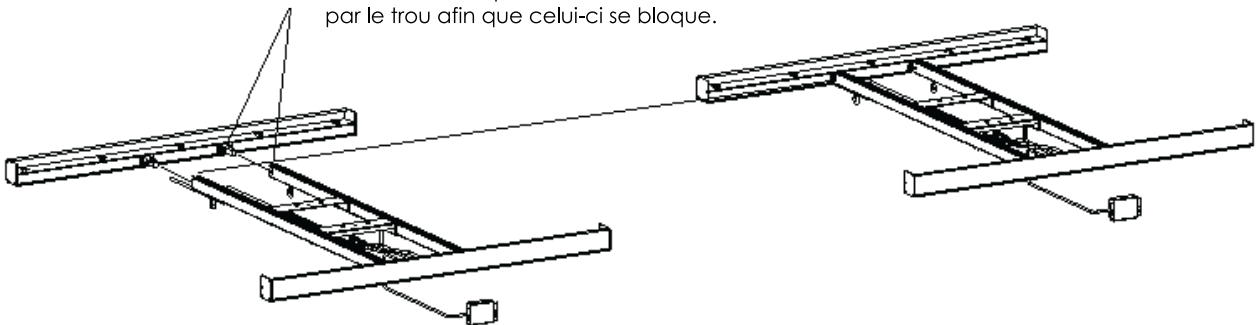
Connectez les supports A et B au châssis principal en appuyant sur le bouton du connecteur de châssis et en les insérant dans l'embout et le verrou du châssis.



Connectez le support B au bout du châssis principal à côté du plateau du châssis.

Vérifiez sa direction lors de l'installation; le support du transformateur doit se trouver au-dessus lorsque la lampe est suspendue. Appuyez sur le bouton du connecteur du châssis pour connecter le support et vous assurer que le bouton ressorte par le trou afin que celui-ci se bloque.

Appuyez sur le bouton du connecteur du support A pour connecter le support et vous assurer que le bouton ressorte par le trou afin que celui-ci se bloque.



Vérifiez sa direction lors de l'installation; le support du transformateur doit se trouver au-dessus lorsque la lampe est suspendue.

6.2 Connectez le transformateur



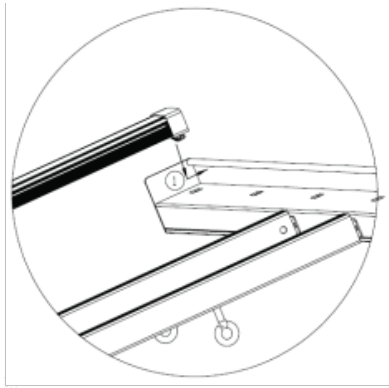
Placer le pilote LED sur le support de montage et fixer avec des vis de rétention à travers le support dans la plaque de base.



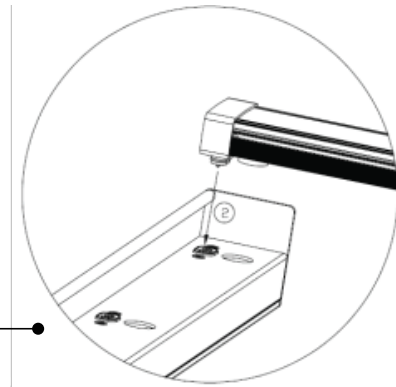
Connectez les sorties du pilote aux câbles du connecteur d'entrée sur le châssis B.

Remarque! À l'aide des rallonges de driver LED Lumatek 5m (vendues séparément), le driver peut être positionné à distance pour une plus grande flexibilité.

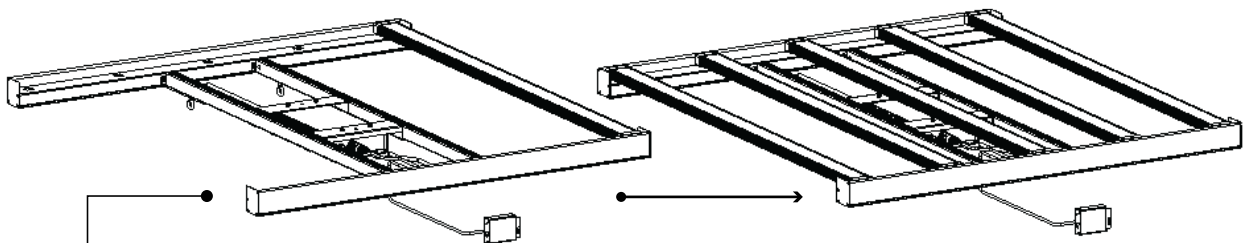
6.3 Connectez les barres lumineuses LED



Assurez-vous que le transformateur soit bien sécurisé et retournez la lampe afin que celui-ci se trouve en dessous. Insérez le bout de la barre lumineuse avec le crochet dans le trou carré du support A.



l'autre bout; alignez le trou rond du support B avec le bout magnétique de la lampe et insérez le pin mâle dans la fiche femelle. Assurez-vous que la liaison magnétique soit sécurisée.



Assemblez le reste des barres lumineuses dans la lampe comme montré dans le Figure

6.4 Remplacement et changement des barres lumineuses

Des barres lumineuses de 93W individuelles sont disponibles à l'achat pour leur remplacement ou avec des ratios spectraux différents afin d'ajuster la sortie spectrale de la lampe.

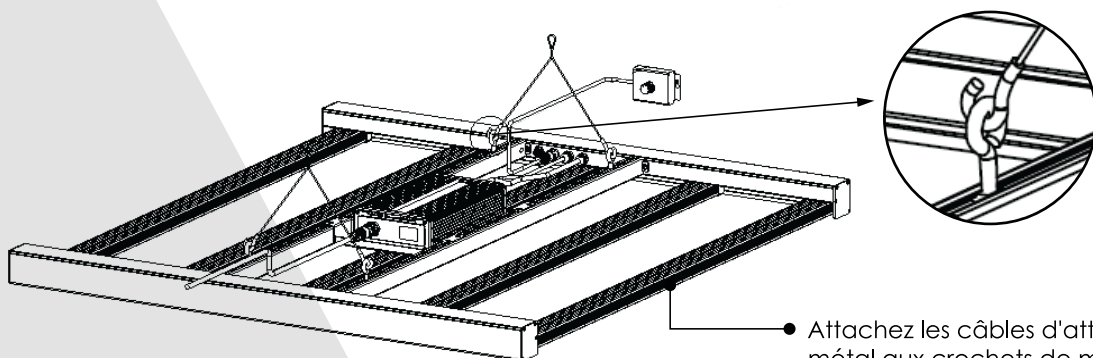
Le design modulaire de la lampe Zeus Pro embarque un transformateur LED intelligent qui peut automatiquement détecter les variations de puissance afin de s'ajuster à la puissance de 93W des barres lumineuses installées sur la lampe.

Attention ! Au moins une barre lumineuse doit être installée dans la lampe avant de l'allumer.

6.5 Installation de la lampe

Attention ! Montez le système sur un support pouvant supporter le poids de la lampe LED.

Assurez-vous que toutes les barres lumineuses soient correctement installées, de façon sécurisée. Retournez soigneusement la lampe et attachez les câbles d'attache en métal aux crochets de montage. Accrochez la lampe à la bonne hauteur et dans la position requise. Pour des performances optimales; positionner le luminaire de 30 à 50 cm au-dessus du couvert végétal.



Attachez les câbles d'attache en métal aux crochets de montage.

6.6 Connexion du variateur à contrôle manuel

La commande du variateur est connectée au connecteur Dimming IN du luminaire. Cela permet d'ajuster l'intensité lumineuse (sortie PPF) selon les besoins. L'intensité lumineuse de la lampe LED peut être ajustée sans changer la distribution de puissance spectrale et sans perdre en efficacité.



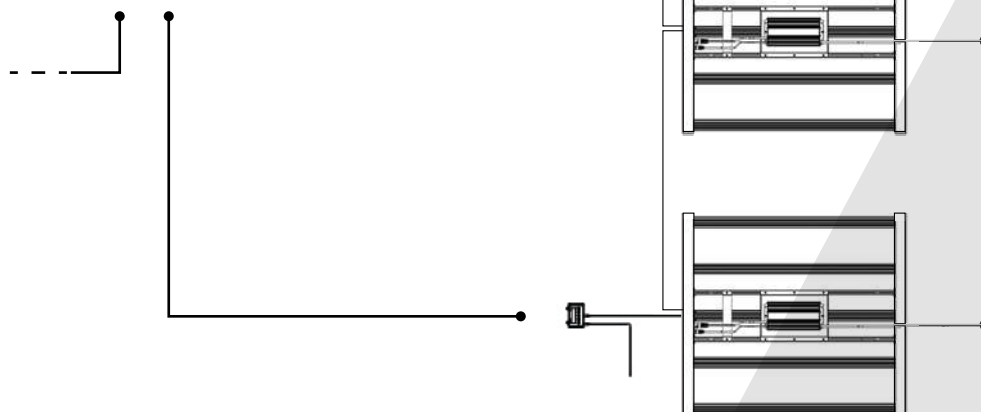
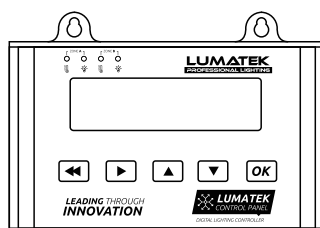
- Connectez le gradateur manuel ou le cordon de signal du contrôleur d'éclairage au connecteur 'SIGNAL IN'.

6.7 Connexion des lampes en série pour un contrôle externe

Pour des instructions détaillées, référez-vous au manuel du Panneau de contrôle Lumatek.

Positionnez et accrochez chaque lampe de façon appropriée. Les appareils de la série Zeus utilisent un protocole de signal 0-10 V pour le contrôle

- Connectez le fil du signal de sortie du contrôleur au connecteur 1 de l'appareil. Connectez le fil de signal du connecteur SIGNAL OUT du luminaire 1 au connecteur SIGNAL IN du luminaire 2.
- Continuez à connecter les appareils en série jusqu'à 100 appareils par contrôleur, voir la figure ci-dessous.



6.8 Connexion de la lampe LED à l'alimentation

Attention ! Assurez-vous que l'alimentation soit éteinte.

Attention ! Assurez-vous que le câble d'alimentation ne soit pas enroulé ou en contact avec aucune surface chaude.

Attention ! Connectez les câbles selon les règles locales, réglementations de sécurité et le code électrique.

Attention ! Assurez-vous que le disjoncteur externe puisse supporter le courant de démarrage de la lampe LED. Utilisez toujours un contacteur bipolaire convenant à une charge capacitive. N'utilisez jamais de minuteur domestique pour allumer la lampe LED !

Connexion au disjoncteur/alimentation. Allumez l'alimentation.

Attention ! Ne connectez ou déconnectez pas la lampe LED sous tension.

7. PRÉCAUTIONS À PRENDRE LORS DE L'USAGE DE LA LAMPE LED

Attention ! Assurez-vous qu'il y est toujours au moins une barre lumineuse connectée à la lampe avant de l'allumer. La lampe Zeus Pro embarque un transformateur LED intelligent qui peut automatiquement détecter les variations de puissance afin de s'ajuster à la puissance des barres lumineuses connectées au système.

Attention ! Attendez toujours entre 20 et 30 minutes afin que les barres lumineuses LED refroidissent.

8. INSPECTION, MAINTENANCE ET RÉPARATION

Attention ! Déconnectez les 4 lampes LED de l'alimentation avant d'effectuer toute maintenance ou réparation.

Attention ! Ne connectez ou déconnectez pas la lampe LED sous tension.

Attention ! N'ouvrez pas et ne démontez pas la lampe LED car elle contient des pièces non remplaçables à l'intérieur. L'ouverture ou la modification de la lampe LED peut être dangereux et révoquera sa garantie.

Attention ! Attendez toujours entre 20 et 30 minutes afin que les barres lumineuses LED refroidissent.

Avertissement ! Ne nettoyez pas la lampe LED avec des détergents, produits abrasifs ou toute autre substance agressive.

Vérifiez régulièrement qu'il n'y est pas d'accumulation de poussière ou de saletés sur la lampe LED. Nettoyez-la si nécessaire. La pollution peut causer la surchauffe et une baisse de performances. Nettoyez l'extérieur de la lampe LED à l'aide d'un chiffon sec ou humide.

Vérifiez régulièrement que les câbles de la lampe LED ne soient pas endommagés.

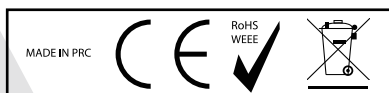
9. STOCKAGE ET DISPOSITION

Placez la lampe LED dans un environnement sec et propre ayant une température ambiante située entre -25°C et 55°C. Le produit ne doit pas être jeté avec les ordures ménagères mais doit être collecté en déchèterie pour des raisons de traitement, récupération, et environnementales.

10. WARRANTY

Lumatek Ltd garantit que les composants mécaniques et électroniques de ses produits ne sont pas défectueux si utilisés dans des conditions normales durant une période de cinq (5) ans suivant la date d'achat initiale. Si le produit montre quelque signe de défaillance durant sa période de garantie et que la défaillance n'est pas due à une erreur de l'utilisateur ou une mauvaise utilisation, Lumatek Ltd se doit de remplacer ou réparer le produit en utilisant des composants ou produits neufs ou reconditionnés adaptés. Dans le cas où Lumatek Ltd décide de remplacer totalement le produit, cette garantie limitée se doit d'être appliquée au produit de remplacement pour la période de garantie restante, qui est de cinq (5) ans suivant la date d'achat du produit initial. Pour cela, retournez le produit à votre magasin d'achat avec une facture originale.

LUMATEK
PROFESSIONAL LIGHTING



Pour plus d'informations sur les produits Lumatek
visitez www.lumatek-lighting.com

LUMATEK ZEUS 465W PRO COMPACT LED MANUÁL

ČEŠTINA

OBSAH

1. **Introduction**
2. **Úvod**
3. **Informace o produktu a specifikace**
 - 3.1 Obecné informace o produktu
 - 3.2 Technické specifikace
 - 3.3 Technické specifikace
 - 3.4 Spektrální graf
 - 3.5 Křivka rozložení světla
 - 3.6 Životní prostředí
 - 3.7 Právní
4. **Bezpečnostní doporučení a varování**
5. **Obsah**
6. **Instalace**
 - 6.1 Sestavte rámeček
 - 6.2 Připojte ovladač
 - 6.3 Připojte světelné lišty LED
 - 6.4 Výměna a výměna světelných pruhů
 - 6.5 Instalace příslušenství
 - 6.6 Připojení ručního ovládání stmívače
 - 6.7 Propojovací příslušenství v sérii pro externí ovládání
 - 6.8 Připojení LED svítidla do sítě
7. **Opatření při používání LED svítidla**
8. **Inspekce, údržba a opravy**
9. **Skladování a likvidace**
10. **Záruka**

1. ÚVOD

Děkujeme, že jste si zakoupili lineární svítidlo LED Lumatek Zeus 465W Pro Compact s více světly. Tato příručka popisuje, jak nainstalovat a používat zařízení Zeus Pro; prosím pečlivě si přečtěte tuto příručku před instalací nebo provozováním jakéhokoli systému řady Lumatek Zeus. Pokud s instalací vysoce výkonných osvětlovacích systémů nejste spokojeni, měli byste vyhledat instalační služby kvalifikovaného profesionála.

2. POPIS PRODUKTU

Lumatek Zeus 465W Pro Compact LED je elektronické zahradnické LED svítidlo využívající lineární uspořádání se pět LED světelnými lištami. Zeus Pro je špičkové vysoce výkonné celoobvodové řešení osvětlení pro komerční pěstování s výkonem a flexibilitou pro škálování od vegetativního růstu po vyšší intenzitu světla v květu. V této příručce bude LED Lumatek Zeus 465W Pro Compact označována jako: "LED svítidlo".

3. INFORMACE O PRODUKTU A SPECIFIKACE

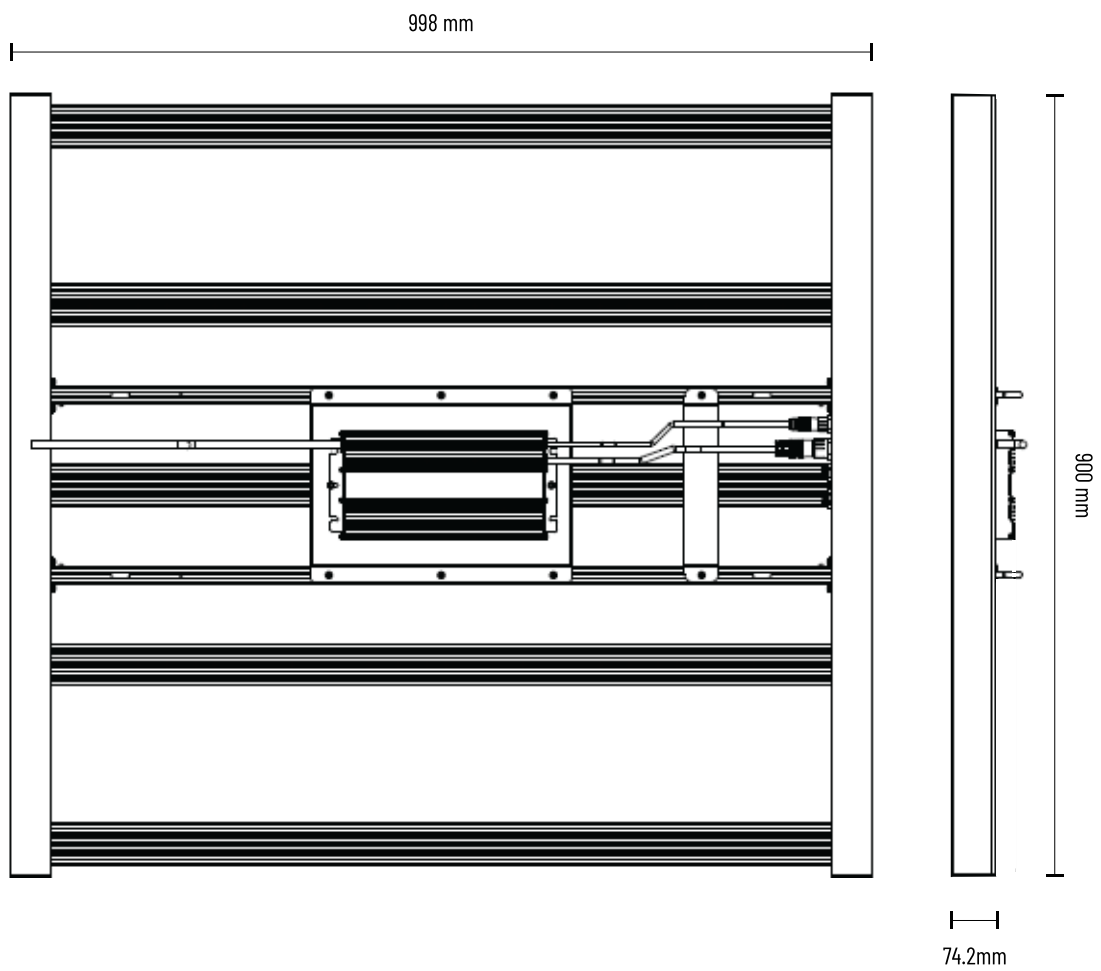
3.1 Obecné produktové informace

JMÉNO PRODUKTU	Lumatek Zeus 465W Pro Compact LED
ČÍSLO DÍLU	LUMLED007P
VÝROBCE	Lumatek EU
EAN	5060560030935
TYP ZÁSTRČKY	UK/EU

3.2 Technické specifikace

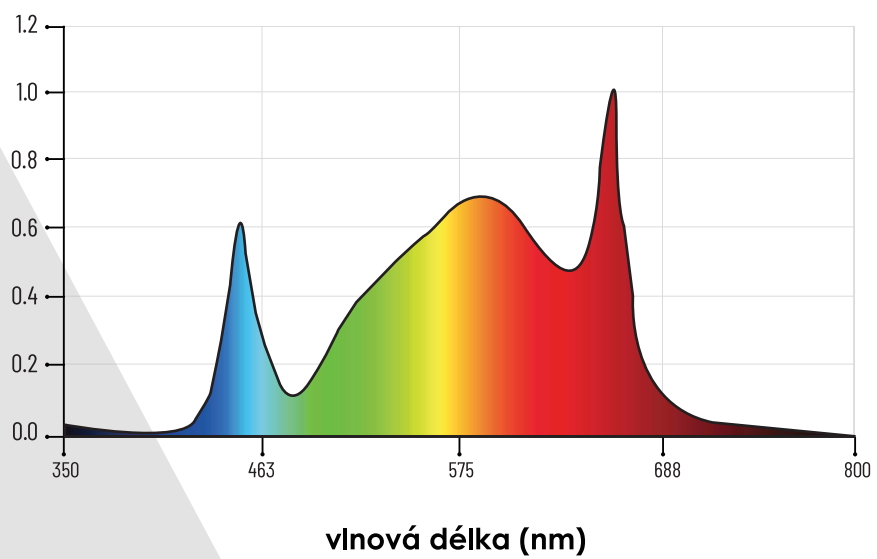
VSTUPNÍ NAPĚTÍ	220 - 240V 50/60Hz AC
PŘÍKON	465W
VSTUPNÍ PROUD 230V , 100% o/p	2.0A (2.6A max)
VYUŽITÍ ENERGIE	>0.95
PPF	1256 $\mu\text{mol/s}$
ÚČINNOST	2.7 $\mu\text{mol/J}$
SPEKTRUM	Celé F spectrum
ZDROJ SVĚTLA	LUMATEK LUMLED (W) & Osram (R) LED
ROZMĚRY (LxWxH)	998 x 900 x 74.2mm
VÁHA	11Kg
ŽIVOTNOST	>50000H
PRACOVNÍ TEPLOTA	-20° -- +40°C
PRACOVNÍ VLHKOST	20% - 90%
VODOTĚSNOST/ PRACHOTĚSNOST	IP65
ÚHEL PAPRSKU	120°
MANUÁLNÍ OVLADAČ STMÍVÁNÍ / EXTERNÍHO OSVĚTLENÍ	0-10V analogový protokol

3.3 Rozměry světla

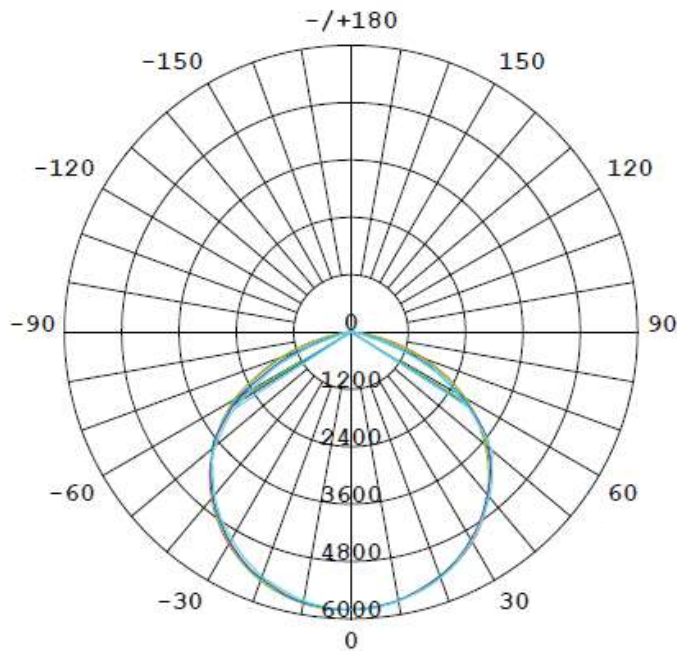


3.4 Spektra

Celé F spectrum



3.5 Křivka distribuce světla



Unit: cd
C0/180 , 117.3
C30/210 , 117.6
C60/240 , 115.9
C90/270 , 114.2

3.6 Prostedí

LED svítidlo je určeno k použití v klimaticky řízených pěstebních místnostech a indoor farmách. Produkt může být používán ve vlhkém prostředí, ale nesmí být používán v mokřem prostředí nebo venku. Produkt bude fungovat v okolních teplotách od -20°C do 40°C, ale bude fungovat na optimální úrovni mezi 20°C a 30°C. Produkt bude pracovat v 20% - 90% vlhkosti, bez kondenzace.

3.7 Předpisy

Tento produkt má certifikaci CE v souladu s normami pro testování směrnice LVD a EMC.

LVD;

EN 60598-1:2015+A1:2018
EN 60598-2-1:1989
EN 62031:2008+1:2013+A2:2015
EN 62493:2015
EN62471:2008

EMC;

EN 55015:2013+A1:2015
EN 61547:2009
EN 61000-3-2:2014
EN 61000-3-3:2013

4. BEZPEČNOSTNÍ DOPORUČENÍ A UPOZORNĚNÍ

Varování! Před použitím nebo prací s výrobkem si pozorně přečtěte níže uvedená varování!

- Při instalaci nebo používání LED svítidla vždy dodržujte místní pravidla a předpisy.
- Neotevírejte ani nerozebírejte LED svítidlo, protože uvnitř nejsou žádné opravitelné díly. Otevření nebo úprava svítidla LED může být nebezpečná a ruší platnost záruky.
- Nepoužívejte LED svítidlo, pokud je LED svítidlo nebo jeho napájecí kabel poškozený. Nahrďte napájecí kabel pouze kabelem se správným jmenovitým výkonem.
- Úpravy kabelů mohou vést k nežádoucím elektromagnetickým účinkům, které mohou způsobit, že produkt nebude v souladu s právními požadavky.
- Nevystavujte svítidlo LED:

- Před jakoukoli údržbou vždy odpojte LED lampu od napájení.
- Před dotykem LED světelných proužků vždy nechte LED lampu vychladnout alespoň 20-30 minut. Dotek světelných tyčí, když jsou horké, může způsobit vážné popáleniny!
- Přirozená konvekce odvádí teplo z chladiče. Aby mohl systém dobře vychladnout nezávisle, je třeba mezi lampou a střešou vaší pěstební oblasti dodržet minimální vzdálenost 5 cm.
- K čištění lampy LED nepoužívejte abrazivní materiály ani agresivní čisticí prostředky, protože by to mohlo poškodit sekundární optiku. Místo toho použijte čistý, suchý hadřík / hadřík.
- Nepoužívejte LED lampu v blízkosti hořlavých, výbušných nebo reaktivních látek. Tato LED lampa může dosáhnout teploty 40 ° C.
- Nepoužívejte sirníkové spreje ani mlhy.
- Za instalaci a používání LED lampy odpovídá konečný uživatel. Nesprávné použití nebo instalace této LED lampy může způsobit její selhání nebo poškození. Poškození LED lampy a elektronického obvodu v důsledku nesprávné instalace a / nebo použití produktu ztratí záruku.

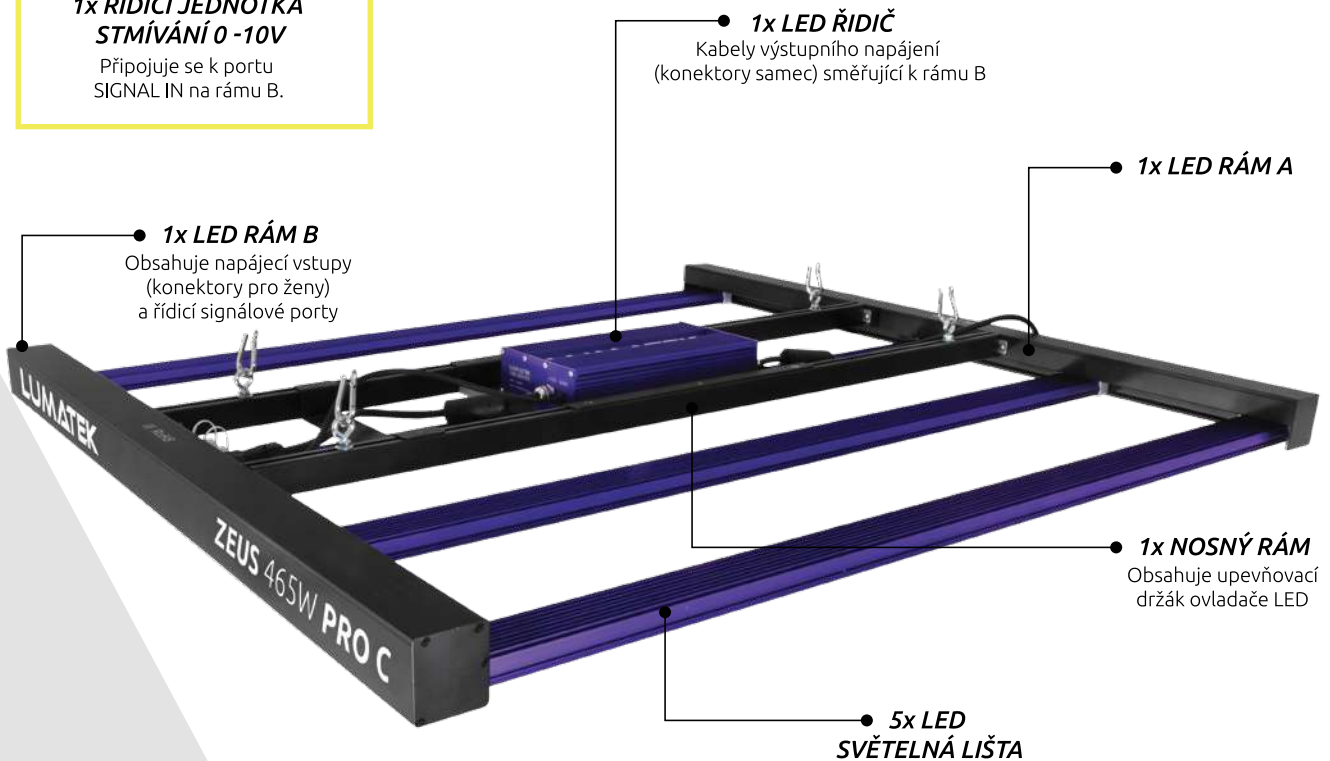
5. OBSAH

1x MANUÁL

**2x KOVOVÉ VEŠÁKY
NA KABELY**

**1x ŘÍDICÍ JEDNOTKA
STMÍVÁNÍ 0 -10V**

Připojuje se k portu
SIGNAL IN na rámu B.



6. INSTALACE

Varování! Montáž a instalace LED svítidla musí být v souladu s platnými místními zákony a předpisy.

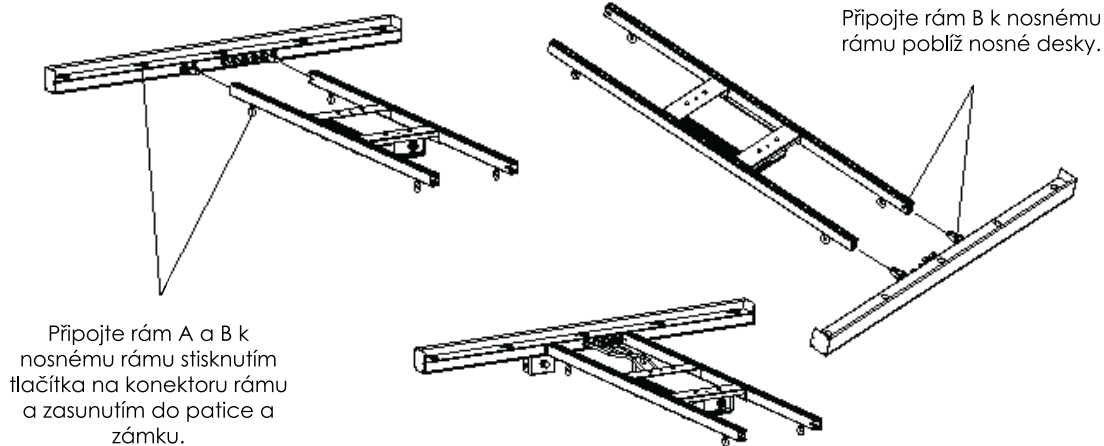
Varování! Za správnou a bezpečnou instalaci odpovídá instalační technik.

Varování! Zajistěte, aby místní kabeláž mohla podporovat požadavky na napětí a proud pro LED svítidla.

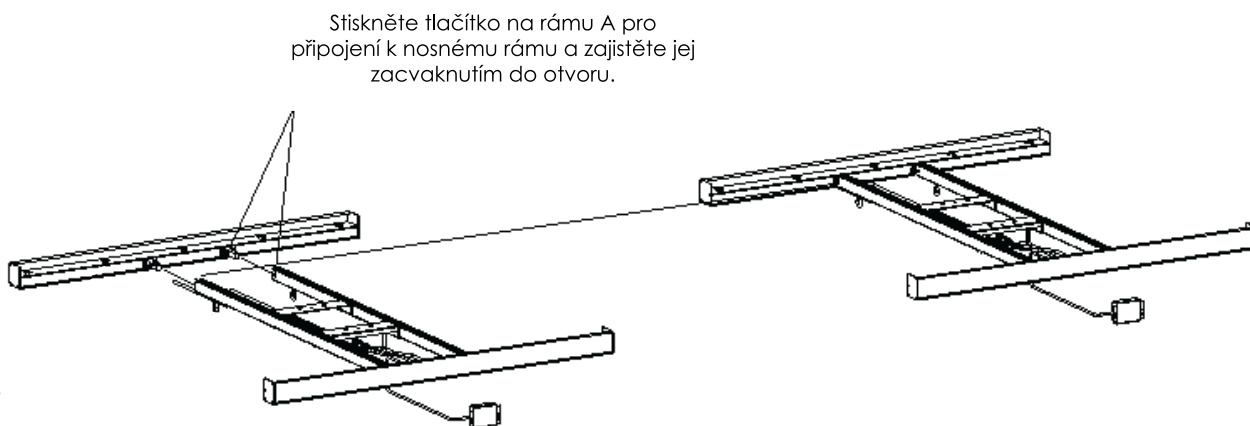
Varování! Vyvarujte se stočeným kabelům a udržujte je odděleně od síťových kabelů, abyste zabránili elektromagnetickému rušení.

Varování! Nepřipojujte ani neodpojujte LED zařízení při zatížení.

6.1 Montáž a instalace svítidla

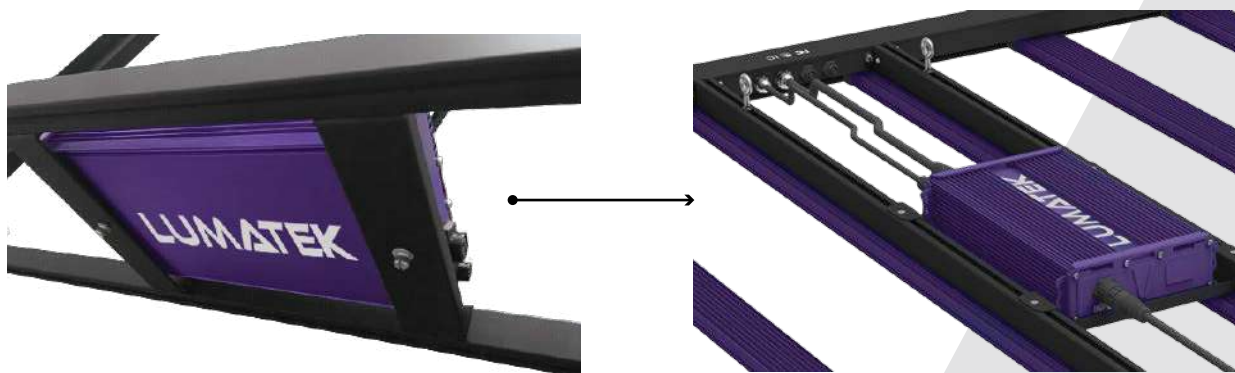


Při instalaci si všimněte směru; při zavěšení svítidla je přihrádka na řidič nahoře. Stisknutím tlačítka na konektoru rámu připojte a ujistěte se, že tlačítko zaskočí do otvoru pro uzamčení.



Při instalaci si všimněte směru; při zavěšení svítidla je přihrádka na řidič nahoře.

6.2 Připojení ovladače

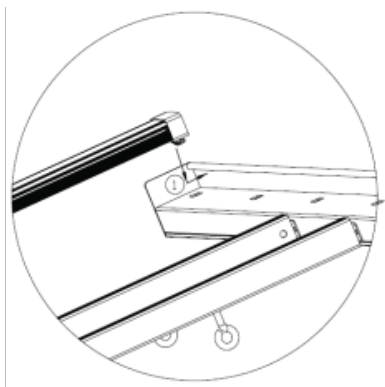


Umístěte ovladač LED na montážní držák a upevněte jej pomocí upevňovacích šroubů do držáku do základní desky.

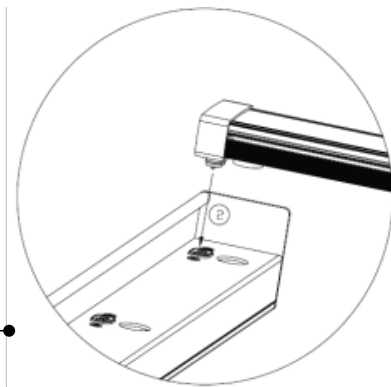
Připojte výstupy ovladače k kabelům vstupních konektorů na rámu B.

Poznámka! Pomocí prodlužovacích kabelů Lumatek 5m LED (prodává se samostatně) lze ovladač umístit vzdáleně, aby byla zajištěna větší flexibilita.

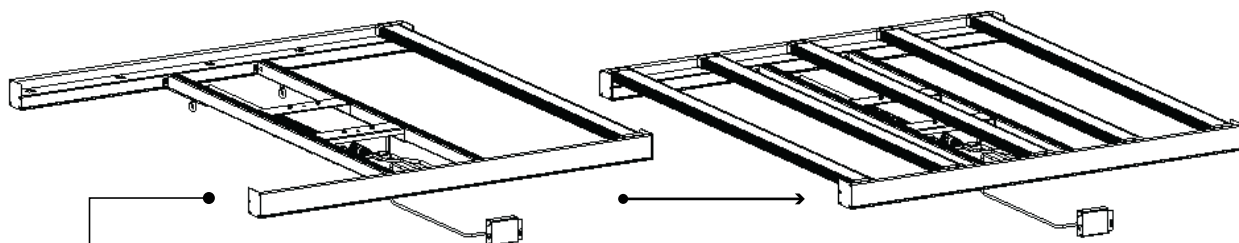
6.3 Připojte LED světelné lišty



Ujistěte se, že je ovladač zajištěn, a otočte svítidlo tak, takže je ovladač nyní pod ním. Vložte konec světelné lišty s háčkem do čtvercového otvoru v rámu A.



Poté vložte druhý konec; zarovnejte kulatý otvor na rámu B s magnetickým koncem světelné lišty a zasuňte konektor samce do zásuvky. Ujistěte se, že magnetické spojení je bezpečné.



Zbytek světelných lišt namontujte do rámu svítidla tak, jak je znázorněno.

6.4 Výměna a změna světelných lišt

Jednotlivé světelné lišty o výkonu 93W lze zakoupit jako náhradní díl nebo s různými spektrálními poměry pro úpravu spektrálního výkonu svítidla.

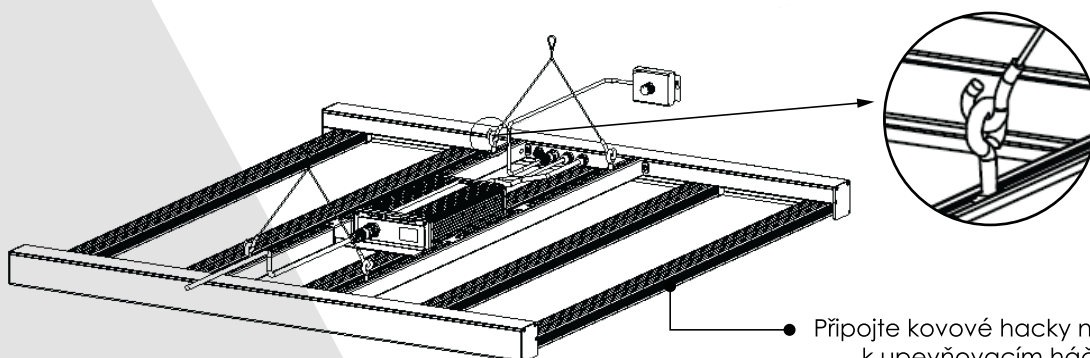
Modulární konstrukce svítidla Zeus Pro má inteligentní LED ovladač, který může automaticky vysílat a snižovat nebo zvyšovat výkon tak, aby odpovídal výkonu dle množství 93W světelných lišt nainstalovaných na svítidle.

Varování! Před zapnutím musí být do svítidla nainstalována alespoň jedna světelná lišta.

6.5 Instalace svítidla

Varování! Připojte systém k něčemu, co unese hmotnost LED svítidla.

Ujistěte se, že všechny světelné lišty jsou nainstalovány správně a jsou zabezpečené. Opatrně otočte svítidlo a připevněte kovové háčky k upevňovacím háčkům. Zavěste svítidlo v požadované poloze a výšce. Pro optimální výkon; umístěte přípravek 30 - 50 cm nad vrchlík rostliny.



Připojte kovové háčky na kabely k upevňovacím háčkům

6.6 Připojení ručního ovládání stmívače

Ovládání stmívače je připojeno ke konektoru Dimming IN na zařízení. To umožňuje upravit intenzitu světla (PPF výstup) podle požadavku. Intenzita světla LED svítidla může být nastavena bez změny spektrálního rozložení energie nebo ztráty účinnosti s použitím ručního ovládání stmívače.



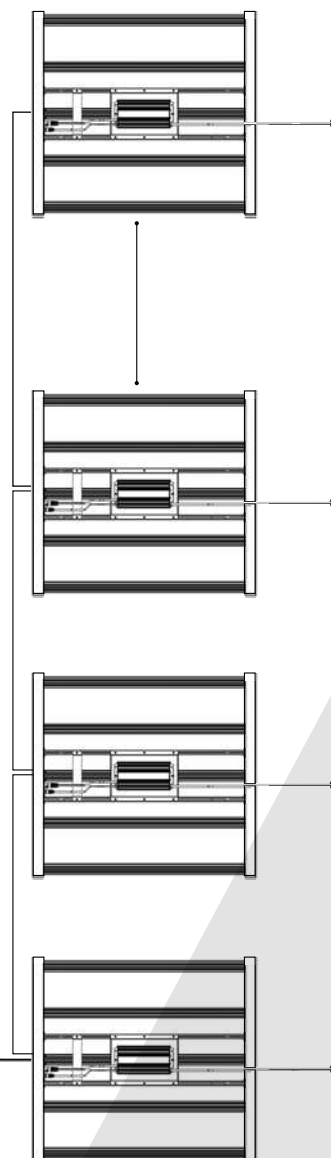
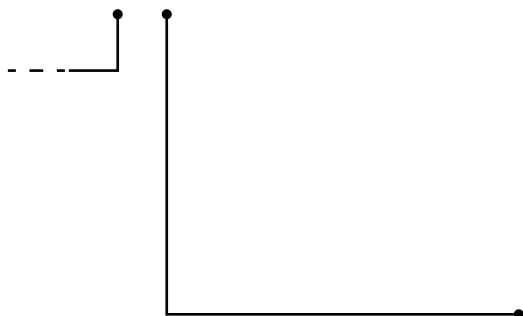
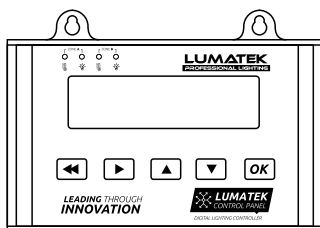
• Připojte kabel manuálního stmívače nebo signálního kabelu ovladače osvětlení ke konektoru „SIGNAL IN“.

6.7 Propojení světel do série pro externí ovládání

Podrobné pokyny naleznete v příručce k ovládacímu panelu Lumatek.

Každé zařízení umístěte a vhodně zavěste. Přístroje řady Zeus používají pro řízení signálový protokol 0-10V

- Připojte výstupní kabel řídicího signálu k konektoru 1 SIGNAL v konektoru. Připojte signální vodič z konektoru SIGNAL OUT 1 k konektoru 2 SIGNAL IN. Continuez à connecter les appareils en série jusqu'à 100 appareils par contrôleur, voir la figure ci-dessous.
- Pokračujte v připojování svítidel v sérii až pro 100 svítidel na ovladač, viz obrázek níže.



6.8 Připojení LED svítidla do sítě

Varování! Ujistěte se, že je napájení vypnuto.

Varování! Ujistěte se, že napájecí kabel není stočený a nedotýká se žádných horkých povrchů.

Varování! Připojte kabely podle místních předpisů, bezpečnostních předpisů a kódexu elektrikářů.

Varování! Ujistěte se, že externí spínací zařízení zvládne spínací proud LED svítidla. Vždy používejte dvoupólový stykač vhodný pro spínání kapacitní zátěže. Nikdy nepoužívejte domácí časovače pro přepínání LED svítidel!

Připojte se ke spínacímu zařízení/napájení. Zapněte síťové napájení.

Varování! Nepřipojujte ani neodpojujte LED zařízení při zatížení.

7. OPATŘENÍ PŘI POUŽÍVÁNÍ LED SVÍTIDLA

Varování! Před zapnutím vždy zkontrolujte, zda je k svítidlu připojena alespoň jedna světelná lišta. Zeus Pro má inteligentní LED ovladač, který zvýší nebo sníží příkop tak, aby odpovídal množství připojených světelných lišt.

Varování! Vždy počkejte 20 - 30 minut, než LED světelné lišty vychladnou.

8. INSPEKCE, ÚDRŽBA A OPRAVY

Varování! Před prováděním jakékoli údržby nebo oprav odpojte LED svítidlo ze sítě.

Varování! Nepřipojujte ani neodpojujte LED svítidlo při zatížení.

Varování! Neotevírejte ani nerozebírejte LED svítidlo, uvnitř nejsou žádné opravitelné díly. Otevření LED svítidla může být nebezpečné a bude mít za následek ztrátu záruky.

Varování! Vždy počkejte 20 - 30 minut, než LED světelné lišty vychladnou.

Pozor! LED svítidlo nečistěte čisticími prostředky, abrazivy nebo jinými agresivními látkami.

Pravidelně kontrolujte, zda se v LED zařízení nehromadí prach nebo nečistoty. V případě potřeby jej vyčistěte. Kontaminace může způsobit přehřátí a snížení výkonu.

Vnější část LED svítidla čistěte suchým nebo vlhkým hadříkem.

Pravidelně kontrolujte kabely LED svítidla, zda nejsou poškozené.

9. SKLADOVÁNÍ A LIKVIDACE

LED svítidlo skladujte v suchém a čistém prostředí s okolní teplotou od -25°C do 55°C.

Produkt nesmí být zlikvidován jako netříděný komunální odpad, ale musí být separován za účelem zpracování, využití a ekologické likvidace.

10. ZÁRUKA

Lumatek Ltd zaručuje po dobu tří (3) let od původního data nákupu, že mechanické a elektronické součásti jejich produktu jsou bez vad materiálu a zpracování, pokud jsou používány za normálních provozních podmínek. Pokud produkt vykazuje v této lhůtě nějaké závady a tato závada není způsobena chybou uživatele nebo nesprávným používáním, společnost Lumatek Ltd dle svého uvážení výrobek vymění nebo opraví za použití vhodných nových nebo repasovaných produktů nebo jejich částí. V případě, že se společnost Lumatek Ltd rozhodne vyměnit celý produkt, vztahuje se tato omezená záruka na náhradní produkt po zbývajícím počátečním záručním období, tj. na tři (3) roky od data zakoupení původního produktu. Pro servis vraťte produkt do svého obchodu s originálním potvrzením o prodeji.

LUMATEK
PROFESSIONAL LIGHTING



Další informace o produktech Lumatek
návštěva www.lumatek-lighting.com



STAY UP TO DATE WITH OUR **SOCIAL MEDIA** CHANNELS



GENERAL : info@lumatek.co.uk
SALES SUPPORT : orders@lumatek.co.uk
TECHNICAL SUPPORT : techsupport@lumatek.co.uk
CONTACT : +44(0)1233 280567

VISIT US AT **WWW.LUMATEK-LIGHTING.COM**